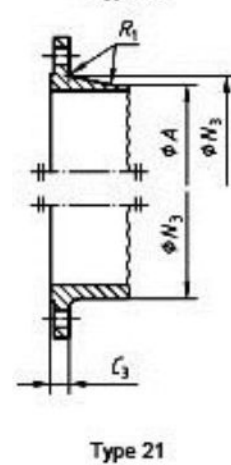
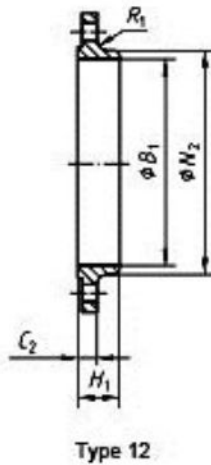
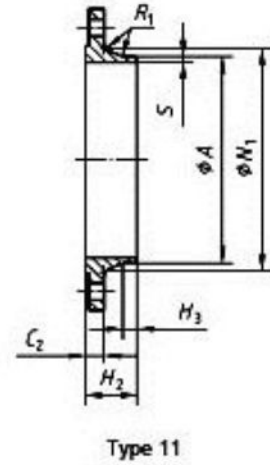
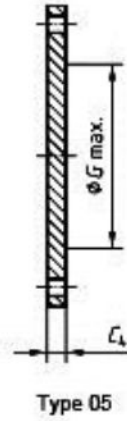
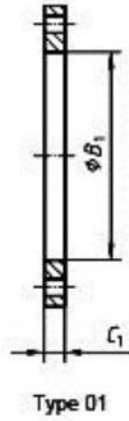
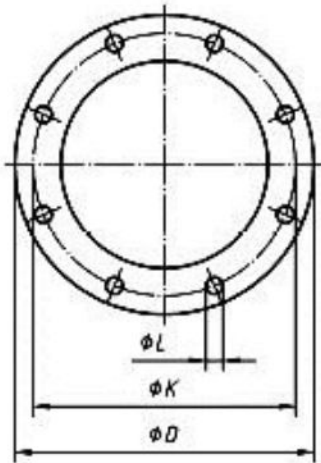


EN 1092-1 PN100 Flanges



Flange type (typ) as in EN 1092-1	
01 (Plate [slip-on] flanges for welding)	12 (Hubbed slip-on flanges for welding)
05 (Blank [blind] flanges)	13 (Hubbed threaded flanges)
11 (Weld-neck flanges)	21 (Integral flanges)