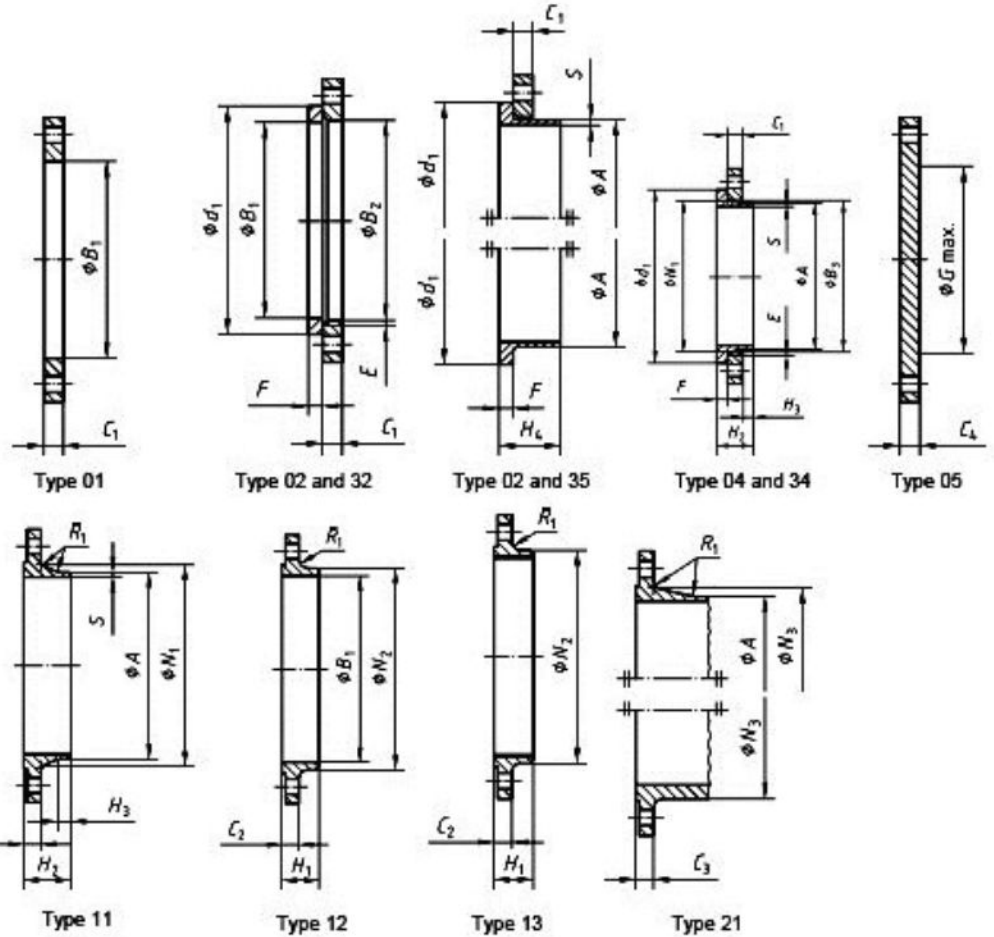
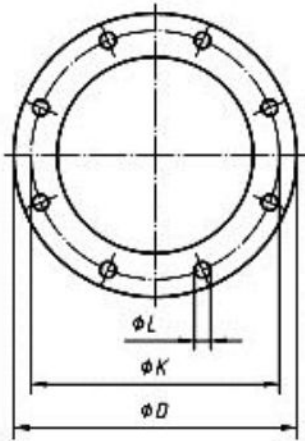


EN 1092-1 PN25 Flanges



Flange type (typ) as in EN 1092-1	
01 (Plate [slip-on] flanges for welding)	13 (Hubbed threaded flanges)
02 (Loose plate flanges with weld-on plate collar)	21 (Integral flanges)
04 (Loose plate flanges with weld-neck collar)	32 (Weld-on plate collars)
05 (Blank [blind] flanges)	34 (Weld-neck collars)
11 (Weld-neck flanges)	35 (Weldring neck)
12 (Hubbed slip-on flanges for welding)	