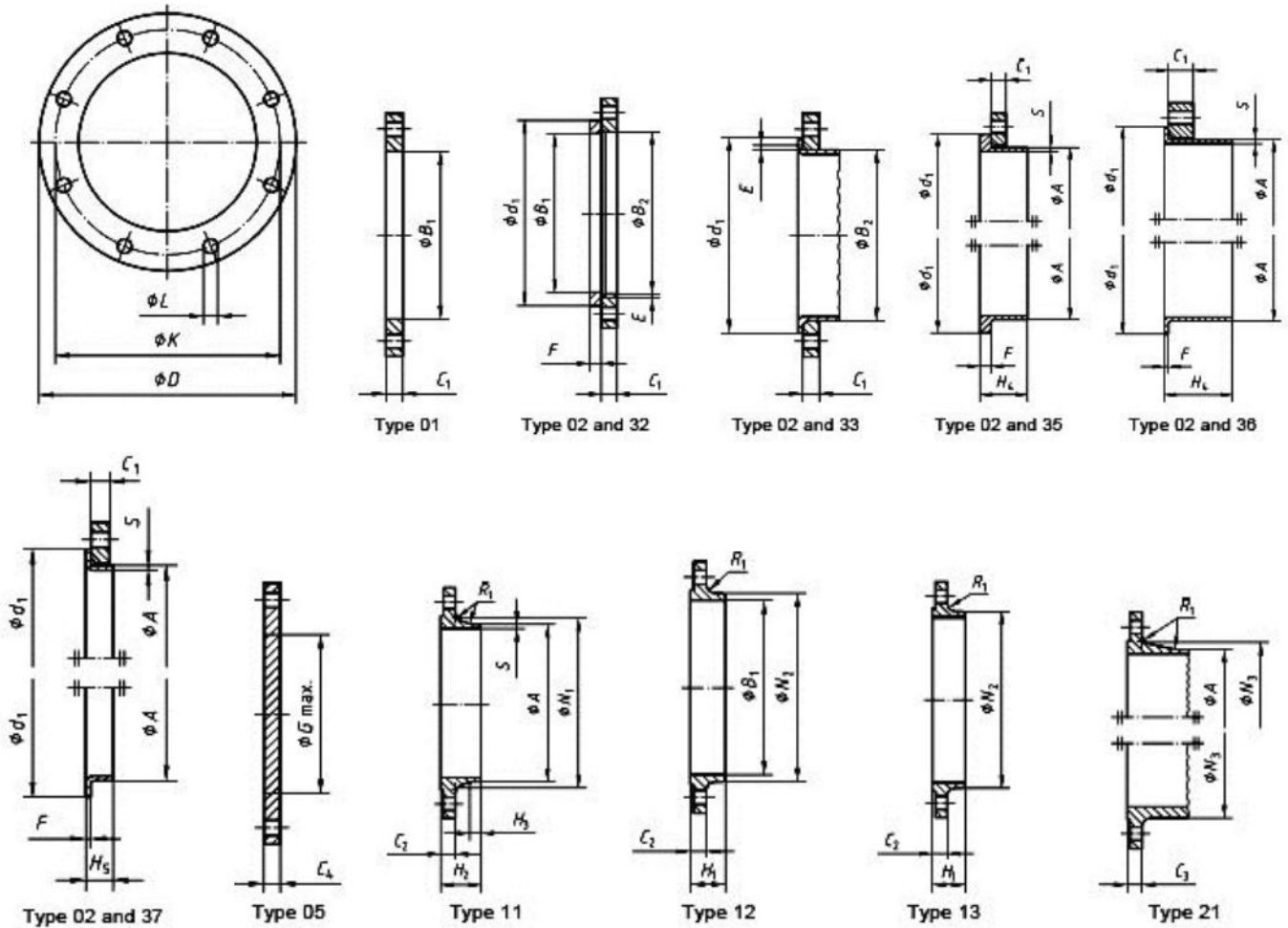


### EN 1092-1 PN6 Flanges



Flange type (typ) as in EN 1092-1	
01 (Plate [slip-on] flanges for welding)	21 (Integral flanges)
02 (Loose plate flanges with weld-on plate collar)	32 (Weld-on plate collars)
05 (Blank [blind] flanges)	33 (Lapped pipe ends without determination of thickness and height)
11 (Weld-neck flanges)	35 (Welding neck)
12 (Hubbed slip-on flanges for welding)	36 (Pressed collar with long neck)
13 (Hubbed threaded flanges)	37 (Pressed collar)