

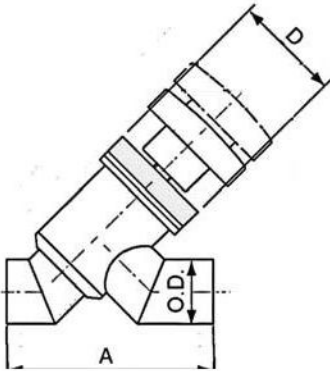
## Vacuum Valves

### Manually Operated Angle Inline Valve with Bellows Tube End

**Features :**

1. Viton o'ring sealed bonnets.
2. Viton o'ring sealed poppets.
3. Bakeable to 204 °C.
4. Viton Seal Bonnet : 10<sup>-9</sup> Torr Vacuum Rating.

Dimension (mm)



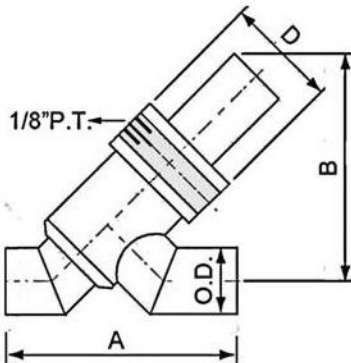
TUBE OD	A	D
3/4"	93.00	56.80
1"	98.00	56.80
1-1/2"	116.00	75.00
2"	168.50	89.40

### Pneumatically Actuated Angle Inline Valve with Bellows Tube End

**Features :**

1. Viton o'ring sealed bonnets.
2. Viton o'ring sealed poppets.
3. Bakeable to 204 °C.
4. Viton Seal Bonnet : 10<sup>-9</sup> Torr Vacuum Rating.
5. Electropneumatically Operated

Dimension (mm)



TUBE OD	A	B	D
3/4"	101.60	88.10	56.80
1"	106.70	86.87	56.80
1-1/2"	130.00	115.57	75.00
2"	177.80	157.23	89.40