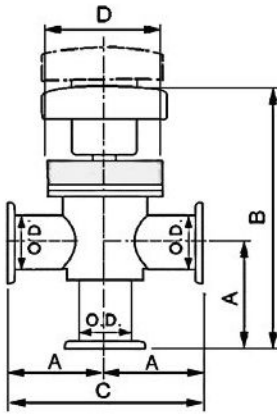


Vacuum Valves

KF Manually Operated Tee Valve with Bellows

Features :

1. Viton o'ring sealed bonnets.
2. Viton o'ring sealed poppets.
3. Bakeable to 204 °C.
4. Viton Seal Bonnet : 10⁻⁹ Torr Vacuum Rating.



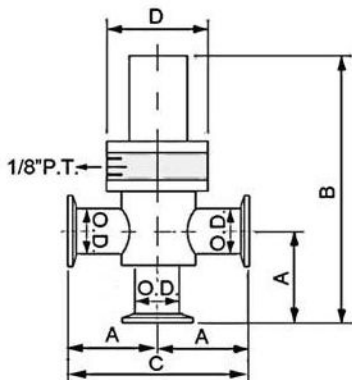
Dimension (mm)

SIZE	TUBE OD	A	B	C	D
KF16	3/4"	54.70	122.70	109.40	56.80
KF25	1"	51.60	127.30	103.20	56.80
KF40	1-1/2"	60.96	160.00	122.00	75.00
KF50	2"	86.40	206.90	172.80	89.40

KF Pneumatically Actuated Tee Valve with Bellows

Features :

1. Viton o'ring sealed bonnets.
2. Viton o'ring sealed poppets.
3. Bakeable to 204 °C.
4. Viton Seal Bonnet : 10⁻⁹ Torr Vacuum Rating.
5. Electropneumatically Operated



Dimension (mm)

SIZE	TUBE OD	A	B	C	D
KF16	3/4"	54.70	157.00	109.40	56.80
KF25	1"	51.60	150.90	103.20	56.80
KF40	1-1/2"	60.96	195.80	122.00	75.00
KF50	2"	86.40	261.10	172.80	89.40