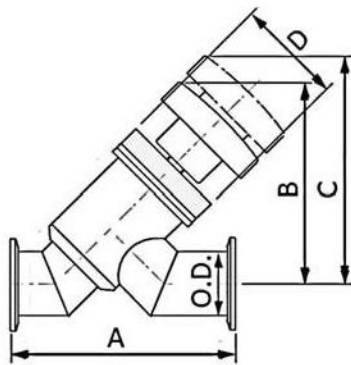


Vacuum Valves

KF Manually Operated Angle-Inline Valve with Bellows

Features :

1. Viton o’ring sealed bonnets.
2. Viton o’ring sealed poppets.
3. Bakeable to 204 °C.
4. Viton Seal Bonnet : 10⁻⁹ Torr Vacuum Rating.



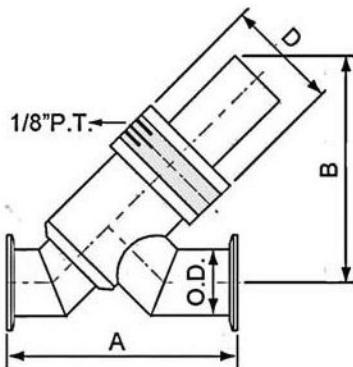
Dimension (mm)

SIZE	TUBE OD	A	B	C	D
KF16	3/4"	101.60	88.10	101.85	56.80
KF25	1"	106.70	86.87	105.16	56.80
KF40	1-1/2"	130.00	115.57	142.50	75.00
KF50	2"	177.80	157.23	232.41	89.40

KF Pneumatically Actuated Angle-Inline Valve with Bellows

Features :

1. Viton o’ring sealed bonnets.
2. Viton o’ring sealed poppets.
3. Bakeable to 204 °C.
4. Viton Seal Bonnet : 10⁻⁹ Torr Vacuum Rating.
5. Electropneumatically Operated



Dimension (mm)

SIZE	TUBE OD	A	B	D
KF16	3/4"	101.60	88.10	56.80
KF25	1"	106.70	86.87	56.80
KF40	1-1/2"	130.00	115.57	75.00
KF50	2"	177.80	157.23	89.40