

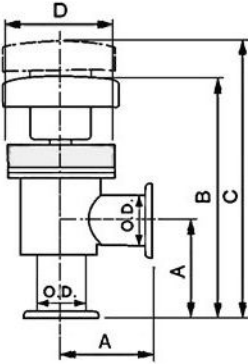
Vacuum Valves

KF Manually Operated Angle Valve with Bellows

Features :

1. Viton o'ring sealed bonnets.
2. Viton o'ring sealed poppets.
3. Bakeable to 204 °C.
4. Viton Seal Bonnet : 10⁻⁹ Torr Vacuum Rating.

Dimension (mm)



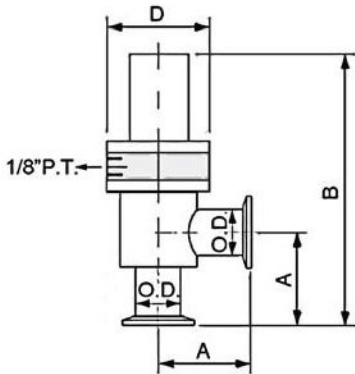
SIZE	TUBE OD	A	B	C	D
KF16	3/4"	54.70	122.70	141.50	56.80
KF25	1"	51.60	127.30	143.30	56.80
KF40	1-1/2"	60.96	160.00	199.20	75.00
KF50	2"	86.40	206.90	251.90	89.40

KF Pneumatically Actuated Angle Valve with Bellows

Features :

1. Viton o'ring sealed bonnets.
2. Viton o'ring sealed poppets.
3. Bakeable to 204 °C.
4. Viton Seal Bonnet : 10⁻⁹ Torr Vacuum Rating.
5. Electropneumatically Operated

Dimension (mm)



SIZE	TUBE OD	A	B	D
KF16	3/4"	54.70	138.80	56.80
KF25	1"	51.60	150.40	56.80
KF40	1-1/2"	60.96	195.60	75.00
KF50	2"	86.40	262.40	89.40