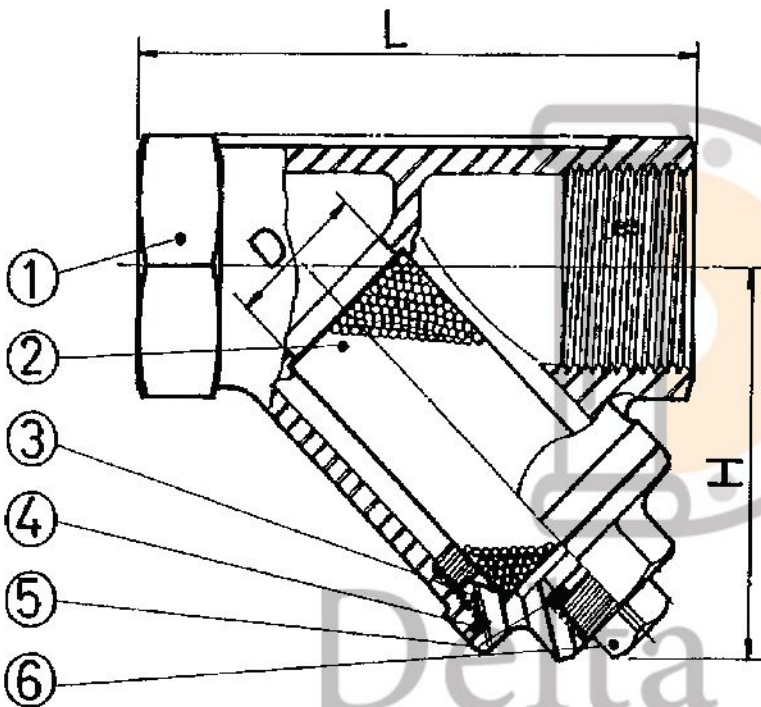


Y-Strainer Threaded 800WOG

Features

1. Thread ends: NPT, BSPP, BSPF, BSPT, PT
2. Investment casting



Material List

NO.	PART NAME	MATERIAL
1	BODY	CF8M (SS316)
2	SCREEN (FILTER)	SS316
3	CAP	SS316
4	GASKET	PTFE
5	PACKING	PTFE
6	PLUG	SS316

Dimensio

SIZE	1/4"	3/8"	1/2"	3/4"	1"	1-1/4"	1-1/2"	2"	2-1/2"	3"
L	57	57	61	70	86	100	111	138	170	195
H	32	32	37	41	47	54	62	76	110	130
D	10	10	15	20	25	32	38	51	65	80