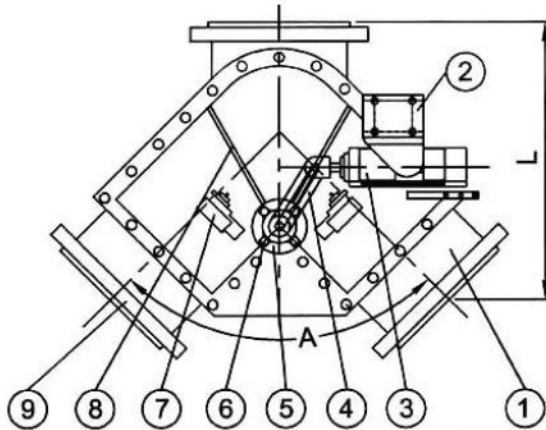


Damper Type Diverter Valve Flanged 150LB

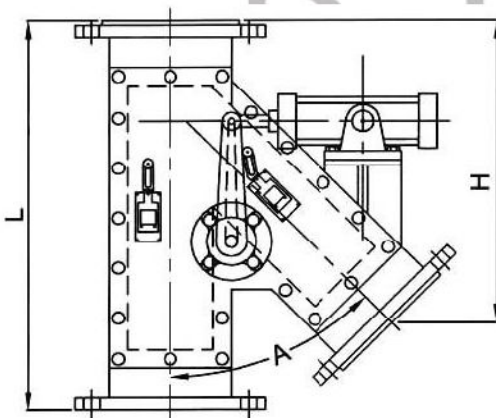
Y TYPE



Dimension

SIZE		2"	2-1/2"	3"	4"	5"	6"	8"	10"	12"
W		90	105	125	150	170	200	255	310	360
L	A	50°	360	370	410	435	470	540	610	690
		60°	270	275	290	310	330	350	395	445
		90°	220	240	260	275	300	320	375	420

└ TYPE



Material List

NO.	PART NAME	MATERIAL
1	BODY	SUS304
2	YOKE	SUS304
3	CYLINDER	AL ALLOY
4	ARM	SUS304
5	BEARING	
6	BOLT	SUS304
7	LIMIT SWITCH	
8	PLATE	SUS304
9	FLANGE	SUS304

Dimension

SIZE		2"	2-1/2"	3"	4"	5"	6"	8"	10"	12"
W		90	105	125	150	170	200	255	310	360
L	A	30°	400	435	455	505	545	600	690	790
		45°	260	280	290	315	335	365	415	485
		60°	182	193	198	210	220	235	260	290
H	A	30°	448	485	515	570	615	675	780	900
		45°	325	350	370	405	435	470	540	635
		60°	260	280	295	320	340	370	415	475