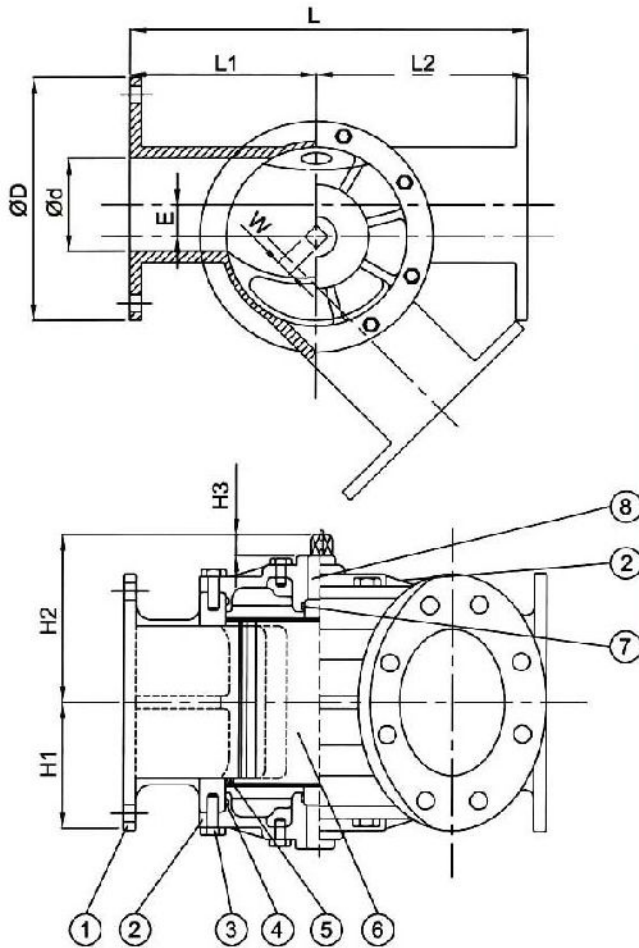


Cock Type Three Way Diverter Valve Flanged 150LB



Material List

NO.	PART NAME	MATERIAL
1	BODY	SCS13
2	COVER	SCS13
3	BOLT	SUS304
4	O-RING	NBR OR VITON
5	SEAL RING	NBR OR VITON
6	PLUG	SCS13
7	O-RING	NBR OR VITON
8	BUSH	AL + PTFE

Dimension

SIZE	d	D	t	E	W	L	L1	L2	H1	H2	H3	CYLINDER SIZE
2"	50	155	15	18	20	280	120	160	80	105	25	AC-100
2-1/2"	65	175	15	19	20	320	140	180	90	118	25	AC-100
3"	75	185	18	19	20	320	140	180	90	118	25	AC-100
4"	100	210	18	27	24	380	180	200	110	140	30	AC-125
5"	125	250	20	35	24	425	200	225	125	155	30	AC-150
6"	150	280	22	39	30	480	230	250	160	195	35	AC-180
8"	200	330	22	55	37	570	270	420	180	220	40	AC-180
10"	250	400	24	68	37	700	330	470	220	270	50	AC-200
14"	350	533	24	90	37	900	410	490	270	350	70	AC-200