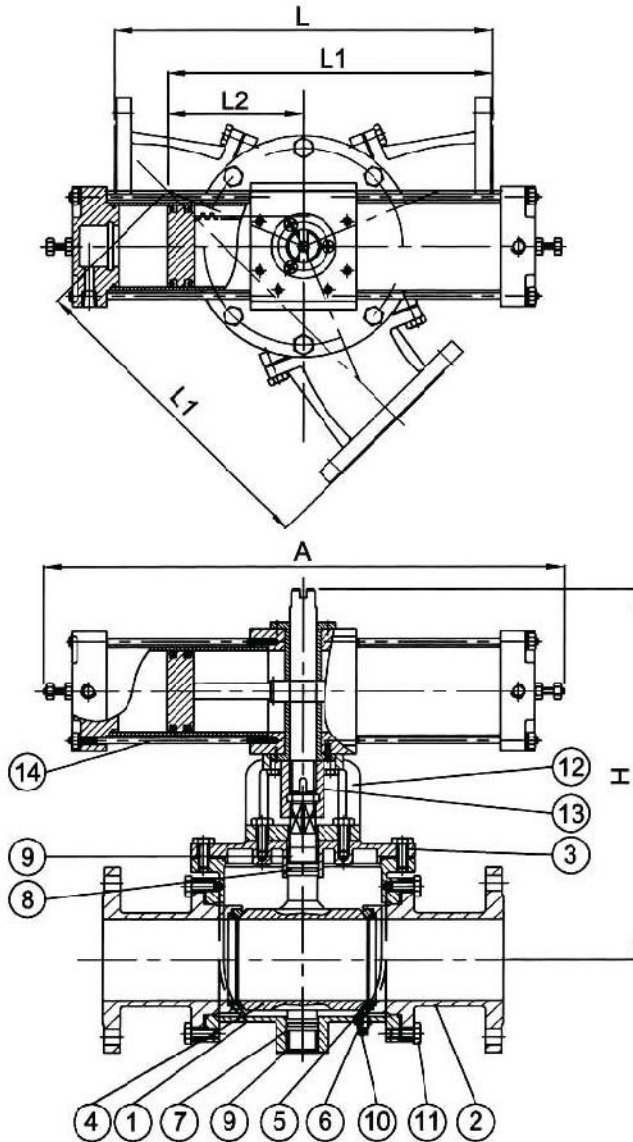


Ball Type Three Way Diverter Valve Flanged 150LB



Material List

| NO. | PART NAME | MATERIAL |
|-----|------------|-----------------|
| 1 | BODY | SUS304 / SUS316 |
| 2 | BODY CAP | SUS304 / SUS316 |
| 3 | TOP FLANGE | SUS304 / SUS316 |
| 4 | BALL | SUS304 / SUS316 |
| 5 | BACK SEAT | TEFLON |
| 6 | BACK SEAT | SILINCONE |
| 7 | O-RING | NBR OR VITON |
| 8 | O-RING | NBR OR VITON |
| 9 | BEARING | AL+PTFE |
| 10 | PLUG | SUS304 |
| 11 | BOLT | SUS304 |
| 12 | FRAME | WCB |
| 13 | JOINT | SS41 |
| 14 | ACTUATOR | AL ALLOY |

Dimension

| SIZE | L | L1 | L2 | A | d | S | H | CYLINDER SIZE |
|--------|-----|-----|-----|------|-----|-------|-----|---------------|
| 2" | 280 | 224 | 84 | 500 | 50 | PT3/8 | 330 | AC100 |
| 2-1/2" | 320 | 264 | 104 | 500 | 65 | PT3/8 | 365 | AC100 |
| 3" | 360 | 291 | 111 | 500 | 75 | PT3/8 | 375 | AC100 |
| 4" | 460 | 384 | 154 | 600 | 100 | PT3/8 | 435 | AC125 |
| 5" | 560 | 483 | 203 | 700 | 125 | PT3/8 | 505 | AC150 |
| 6" | 660 | 547 | 227 | 700 | 150 | PT3/8 | 510 | AC180 |
| 8" | 800 | 677 | 277 | 700 | 200 | PT3/8 | 580 | AC180 |
| 10" | 960 | 810 | 330 | 1110 | 250 | PT3/8 | 650 | AC200 |