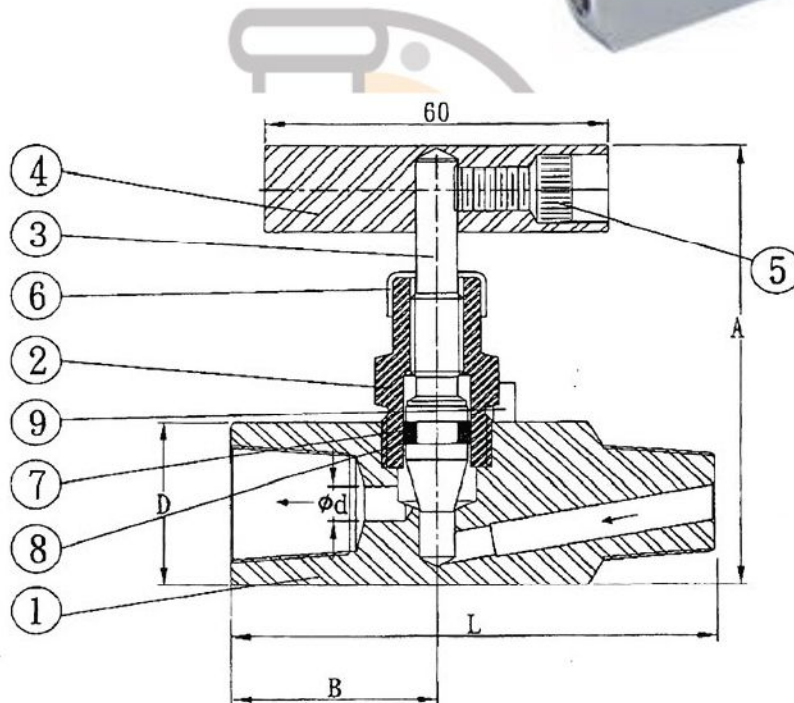


### Needle Valve 10000PSI, Male x Female Threaded End

**Features**

- Thread ends: NPT, BSPP, BSPF, BSPT, PT
- Feature: Screwed-In Bonnet  
T-hand wheel
- Working Pressure: 10000 PSI
- Temperature Range: Max. 120°C



**Material List**

NO.	PART NAME	MATERIAL
1	BODY	SS316/SS316L/A105
2	BONNET	SS316/CARBON STEEL
3	STEM	SS316
4	HANDLE	SS304/CARBON STEEL
5	HANDLE BOLT	SS304/CARBON STEEL
6	BONNET HOOD	POLYTHYLENE
7	BACK-UP RING	VITON
8	O-RING SEAL	VITON
9	BONNET LOCKING PIN	SS304

**Dimension**

SIZE	Ød	A	B	D	L
1/8"	5	87	32.5	28.5	70.0
1/4"	5	87	32.5	28.5	70.0
3/8"	5	87	32.5	28.5	70.0
1/2"	5	87	32.5	28.5	70.0
3/4"	6	90	36.5	35.0	85.7
1"	7	103	45.0	43.0	100.0