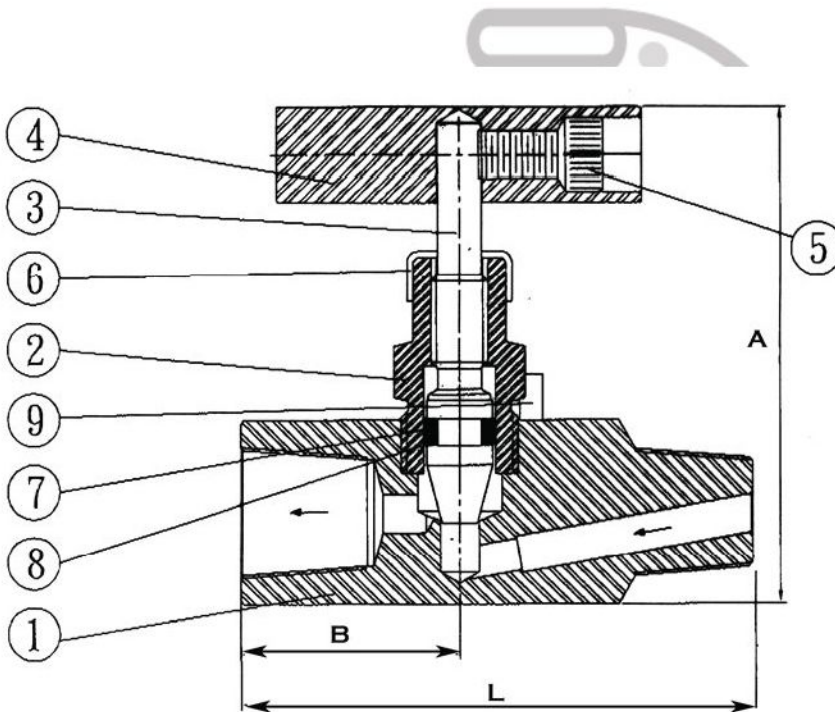


Needle Valve 6000PSI, Male x Female Threaded End

Features

- Thread ends: NPT, BSPP, BSPF, BSPT, PT
- Feature: Screwed-In Bonnet
T-hand wheel
- Working Pressure: 6000 PSI
- Temperature Range: Max. 120°C



Material List

NO.	PART NAME	MATERIAL
1	BODY	SS316 A105
2	BONNET	SS316 A105
3	STEM	SS316
4	HANDLE	SS304 A105
5	HANDLE BOLT	SS304
6	BONNET HOOD	POLYTHYLENE
7	BACK-UP RING	VITON
8	O-RING SEAL	VITON
9	BONNET LOCKING PIN	SS304

Dimension

SIZE	A	B	L
1/4"	75	30	70
3/8"	75	32	75
1/2"	87	36.5	86
3/4"	90	40	45
1"	103	45	100