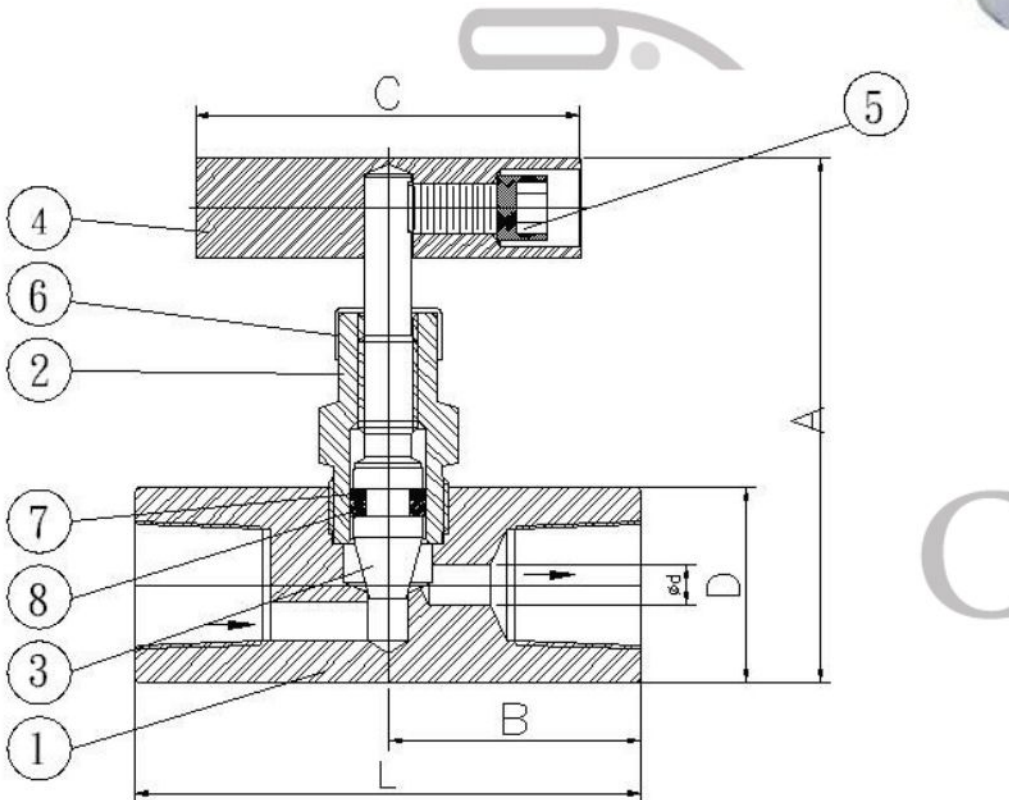


Needle Valve 6000PSI, Threaded End

Features

- Thread ends: NPT, BSPP, BSPF, BSPT, PT
- Feature: Screwed-In Bonnet
T-hand wheel
- Working Pressure: 6,000PSI
- Temperature Range: Max. 120°C



Material List

NO.	PART NAME	MATERIAL	
1	BODY	SS316	A105
2	BONNET	SS316	A105
3	STEM	SS316	SS304
4	HANDLE	SS304	
5	HANDLE BOLT	SS304	
6	BONNET HOOD	POLYTHYLENE	
7	BACK-UP RING	VITON	
8	O-RING SEAL	VITON	

Dimension

SIZE	A	B	C	D	L	Ød
1/8"	75	29	60	24	58	4
1/4"	75	29	60	24	58	4
3/8"	75	29	60	26	58	4
1/2"	87	32.5	60	30	65	6
3/4"	90	35	60	36	70	6
1"	103	40	60	45	80	7