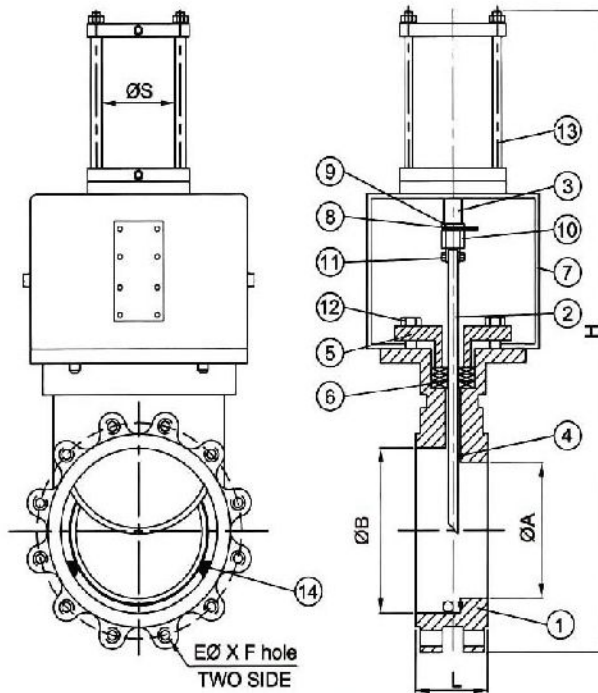


Pneumatic Sealed Knife Gate Valve

Feature

- Connection Rating:
JIS 5K JIS 10K JIS 7.5K
- ANSI 150#
- DIN PN10 PN16
- MSS-SP81 Test Standard:
Body Test: 11kg/cm² (Water)
- Seat Test: 2.8kg/cm² (Water)
- Leakage: 4 cc/ per in. min.



Temperature

MATERIAL	TEM. RANGE
ASBESTOS + PTFE	-50°C ~ 550°C
SILICON	-20°C ~ 150°C
VITON	-20°C ~ 250°C
TEFLON	-30°C ~ 150°C
NON ASBESTOS	-50°C ~ 550°C

Material Option

MATERIAL	BODY	PLATE	SEAT	GLAND PACKING
	CF8 CF8M CF3M	SUS304 SUS316 SUS304L SUS316L	TEFLON METAL VITON EPDM	NON-ASB+PTFE ASB ASB+PTFE TEFLON NON ASBESTOS

Dimension

SIZE	L	ØA	ØB	ØS	H
2"	48	42	64	63	520
2-1/2"	51	57	80	63	570
3"	51	72	95	80	650
4"	51	98	122	80	720
5"	57	123	146	125	870
6"	57	150	175	125	940
8"	70	195	225	150	1150
10"	70	250	275	180	1380
12"	76	300	325	200	1560
14"	76	350	375	250	1720
16"	89	400	430	250	1900
18"	89	435	475	250	2200
20"	114	480	515	300	2400
24"	114	580	620	300	2750

Material List

NO.	PART NAME	MATERIAL
1	BODY	CF8.CF8M.CF3M
2	PLATE	SUS304.316.316L
3	STEM	SS41+HCr
4	SEAT	TEFLON
5	GLAND	SUS304
6	GLAND PACKING	ASB NON-ASB
7	CASE	SS400
8	POINTER	SUS304
9	NUT	SUS304
10	NUT	SUS304
11	CONNECTOR	SUS304
12	BOLT AND NUT	SUS304
13	ACTUATOR	AL ALLOY.FC
14	GUIDE	SUS304