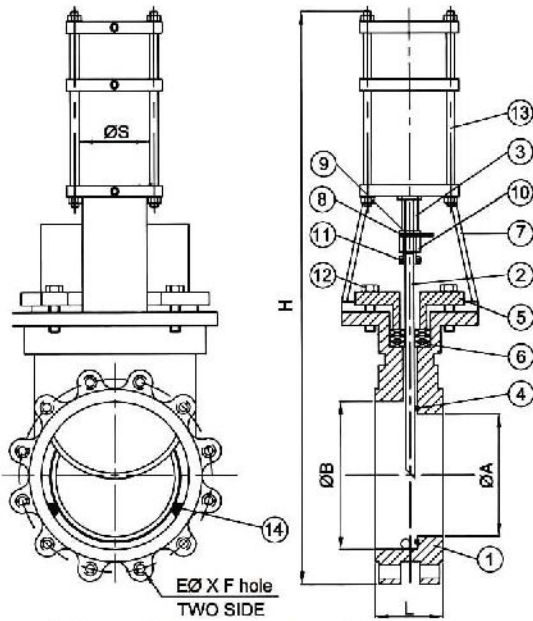


### Pneumatic Two Stage Knife Gate Valve

**Feature**

- Connection Rating:  
JIS 5K JIS 10K JIS 7.5K
- ANSI 150#
- DIN PN10 PN16
- MSS-SP81 Test Standard:  
Body Test: 11kg/cm<sup>2</sup> (Water)
- Seat Test: 2.8kg/cm<sup>2</sup> (Water)
- Leakage: 4 cc/ per in. min.



**Temperature**

MATERIAL	TEM. RANGE
ASBESTOS + PTFE	-50°C~ 550°C
SILICON	-20°C~ 150°C
VITON	-20°C~ 250°C
TEFLON	-30°C~ 150°C
NON ASBESTOS	-50°C~ 550°C

**Material Option**

	BODY	PLATE	SEAT	GLAND PACKING
MATERIAL	CF8 CF8M CF3M	SUS304 SUS316 SUS304L SUS316L	TEFLON METAL VITON EPDM	NON-ASB+PTFE ASB ASB+PTFE TEFLON NON ASBESTOS

**Dimension**

SIZE	L	ØA	ØB	ØS	H
2"	48	42	64	63	560
2-1/2"	51	57	80	63	610
3"	51	72	95	80	750
4"	51	95	120	80	810
5"	57	125	148	125	980
6"	57	150	175	125	1060
8"	70	195	222	150	1280
10"	70	250	275	180	1600
12"	76	300	325	200	1800
14"	76	350	375	250	2050
16"	89	400	430	250	2300
18"	89	435	475	250	2600
20"	114	480	515	300	2850
24"	114	580	620	300	3250

**Material List**

NO.	PART NAME	MATERIAL
1	BODY	CF8.CF8M.CF3M
2	PLATE	SUS304.316.316L
3	STEM	SS41+HCr
4	SEAT	TEFLON
5	GLAND	SUS304
6	GLAND PACKING	ASB NON-ASB
7	YOKE	DUCTILE IRON
8	POINTER	SUS304
9	NUT	SUS304
10	NUT	SUS304
11	CONNECTOR	SUS304
12	BOLT AND NUT	SUS304
13	ACTUATOR	AL ALLOY. FC
14	GUIDE	SUS304