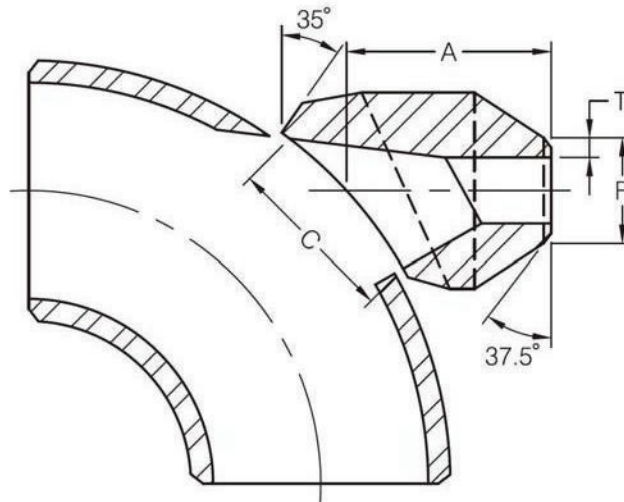


### Butt Weld 90° Elbow Outlet



Outlet Pipe		A		C	F	T	
DN	Inch	Sch80	Sch160			Sch80	Sch160
8	1/4"	40.5	40.5	35.2	13.7	3.0	3.7
10	3/8"	40.5	40.5	35.2	17.1	3.2	4.0
15	1/2"	40.5	47.6	35.2	21.3	3.7	4.7
20	3/4"	47.6	55.6	43.6	26.7	3.9	5.5
25	1"	55.6	60.3	54.0	33.4	4.5	6.4
32	1-1/4"	60.3	67.7	67.5	42.2	4.9	6.4
40	1-1/2"	66.7	85.7	76.2	48.3	5.1	7.1
50	2"	81.0	-	104.8	60.3	5.5	-
65	2-1/2"	82.6	-	106.4	73.0	7.0	-
80	3"	96.8	-	125.4	88.9	7.6	-
100	4"	114.3	-	163.5	114.3	8.6	-

(1) Weld bevel in accordance with ASME B16.25.