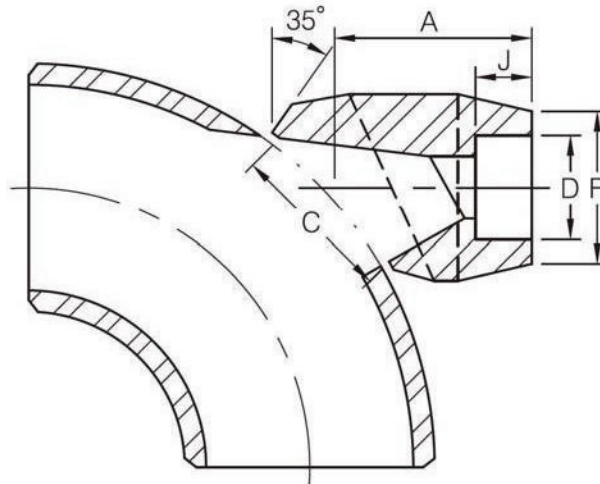


### Socket Weld 90° Elbow Outlet



Outlet Pipe		A		C		F		D	J	
DN	Inch	3000Lb	6000Lb	3000Lb	6000Lb	3000Lb	6000Lb		3000Lb	6000Lb
8	1/4"	40.5	40.5	35.2	34.9	22.0	26.0	14.35	10.0	10.0
10	3/8"	40.5	40.5	35.2	34.9	25.9	33.0	17.80	10.0	10.0
15	1/2"	40.5	47.6	35.2	34.9	31.4	38.0	21.95	11.1	10.0
20	3/4"	47.6	55.6	43.6	43.6	37.1	44.0	27.30	12.7	14.3
25	1"	55.6	60.3	54.0	54.0	45.5	57.0	34.05	13.5	15.9
32	1-1/4"	60.3	66.7	67.5	67.5	57.0	64.0	42.80	15.1	20.6
40	1-1/2"	66.7	85.7	76.2	76.2	64.0	76.0	48.90	15.9	20.6
50	2"	81.0	-	104.8	-	76.0	-	61.35	17.5	-
65	2-1/2"	82.6	-	106.4	-	92.0	-	74.15	23.8	-
80	3"	96.8	-	125.4	-	109.2	-	90.10	28.6	-
100	4"	114.3	-	163.5	-	140.0	-	115.75	29.4	-

(1) Socket weld in accordance with ASME B16.11.