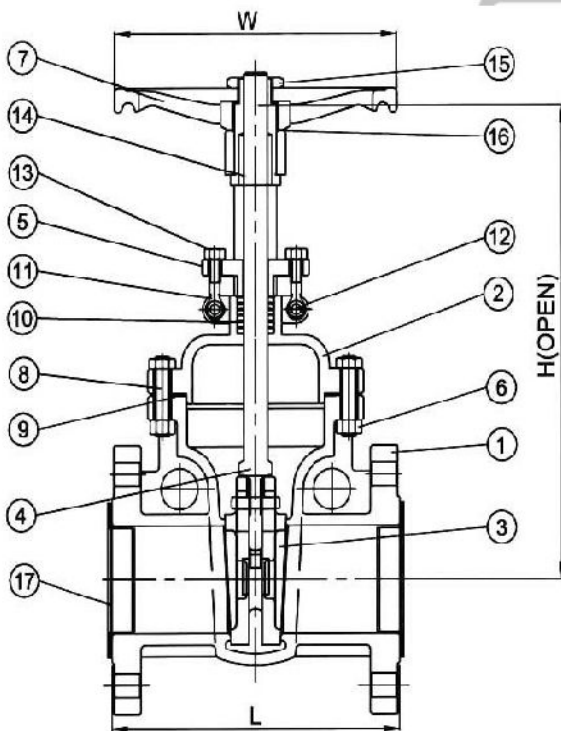


## Cast Stainless Steel Gate Valve Flanged 20K/ 300LB Outside Screw & Yoke Bolted Bonnet

### Feature

- Gate valves API 603
- Shell wall thickness ANSI B16.34
- Face to Face ANSI B16.10 / JISB2002
- End Flanges ANSI B16.5 / JISB2210



butt welding ends

### Material List

NO.	PART NAME	MATERIAL			
		304SS	316SS	316L	CARBON STEEL
1	BODY	CF8	CF8M	CF3M	WCB
2	BONNET	CF8	CF8M	CF3M	WCB
3	DISC	SUS304	SUS316	SUS316L	CF8
4	STEM	SUS304	SUS316	SUS316L	SUS304
5	GLAND	CF8	CF8M	CF3M	CF8
6	BONNET NUT	A194-8			
7	HAND WHEEL	DUCTILE IRON			
8	BONNET BOLT	A193-B8			
9	GASKET	SPIRALWOUND/ GRAPHITE/PTFE			
10	PACKING	PTFE/GRAPHITE			
11	EYE BOLT	A193-B8			
12	EYE BOLT PIN	A276-304			
13	EYE BOLT NUT	A194-8			
14	YOKE SLEEVE	BRONZE			
15	WHEEL NUT	STEEL			
16	WASH	SUS304			
17	COVER	PE			

### Test Pressure To API 598

	ANSI 300LB	JIS 20k
Shell Test (Water)	1125 PSI (77 kg/cm <sup>2</sup> )	40 kg/cm <sup>2</sup>
Seat Test (Water)	814 PSI (56 kg/cm <sup>2</sup> )	20 kg/cm <sup>2</sup>
Seat Test (Air)	80 PSI (6 kg/cm <sup>2</sup> )	6 kg/cm <sup>2</sup>

### Dimension

SIZE	IN	1/2"	3/4"	1"	1-1/2"	2"	2-1/2"	3"	4"	5"	6"	8"	10"	12"	14"	16"
	MM	15	20	25	40	50	65	80	100	125	150	200	250	300	350	400
L/L1		140	152	165	190	216	241	283	305	381	403	419	459	502	762	838
H		210	215	230	295	345	405	500	585	705	780	1000	1130	1410	1650	1750
W		125	125	125	170	190	200	220	250	350	350	400	400	500	600	600