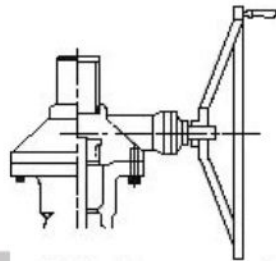


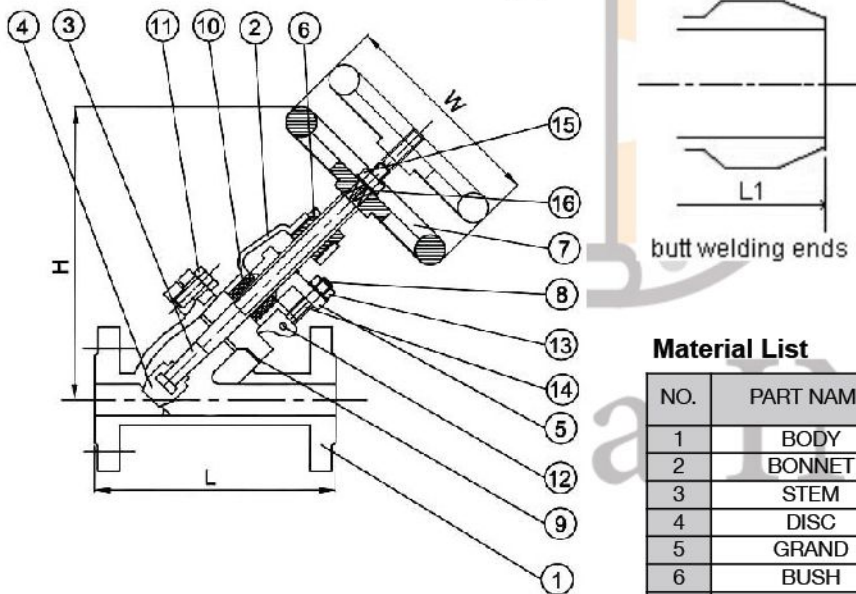
**Y type Globe Valve Flanged 10K/ 150LB/
PN16 Outside Screw & Yoke Bolted Bonnet**

Feature

- Shell Wall Thickness: ANSI B16.34
- Face to Face ANSI B16.10 / JISB2002
- End Flanges ANSI B16.5 / JISB2210



available with gear operator



Material List

NO.	PART NAME	MATERIAL			
		WCB	304SS	316SS	316L
1	BODY	WCB	CF8	CF8M	CF3M
2	BONNET	WCB	CF8	CF8M	CF3M
3	STEM	SUS304	CF8	CF8M	CF8M
4	DISC	SUS304	CF8	CF8M	CF3M
5	GRAND	WCB	CF8	CF8M	CF3M
6	BUSH	DUCTILE IRON			
7	HAND WHEEL	CAST IRON			
8	BOLT	A193-B8			
9	GASKET	V#1500/ GRAPHITE/ PTFE			
10	PACKING	PTFE/GRAPHITE			
11	BOLT	A193-B8			
12	PIN	A276-304			
13	NUT	A194-8			
14	WASH	A276-304			
15	NUT	A194-8			
16	WASH	A276-304			

Test Pressure To API 598

	ANSI 150LB	JIS 10K
Shell Test (Water)	450 PSI (32 kg/cm ²)	20 kg/cm ²
Seat Test (Water)	314 PSI (22 kg/cm ²)	15 kg/cm ²
Seat Test (Air)	80PSI (6 kg/cm ²)	6 kg/cm ²

Dimension

SIZE	IN	1/2"	3/4"	1"	1-1/2"	2"	2-1/2"	3"	4"	5"	6"	8"	10"	12"
	MM	15	20	25	40	50	65	80	100	125	150	200	250	300
L		139.7	152.4	165.1	203.2	228.6	279.4	317.5	368.3	400	469.9	596.9	673.1	774.7
H		145	150	160	245	270	300	356	407	487	610	685	785	950
W		100	100	125	140	160	180	200	225	250	300	350	400	500