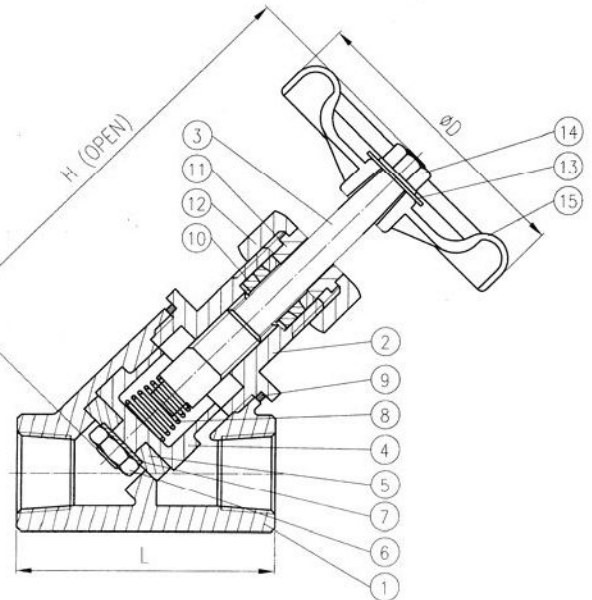


## Y Type Globe Valve 600WOG

### Features

1. Thread ends: NPT, BSPP, BSPF, BSPT, PT
2. Investment casting
3. Pressure: 600WOG



### Material List

NO.	PART NAME	MATERIAL
1	BODY	304; 316
2	CAP	304; 316
3	STEM	304; 316
4	DISC BONNET	304; 316
5	DISC	TEFLON; VITON
6	NUT	304
7	DISC WASHER	304; 316
8	SPRING	304
9	GASKET	TEFLON; NBR
10	STEM PACKING	TEFLON
11	GLAND	304; 316
12	CAP NUT	304; 316
13	WASHER	304; 316
14	HANDLE NUT	304
15	HANDLE	Ductile Iron

### Dimension

SIZE	L	H	D
1/4	57	90	62
3/8	57	90	62
1/2	61	100	62
3/4	70	125	62
1	86	130	75
1-1/4	100	165	75
1-1/2	111	195	95
2	138	210	95