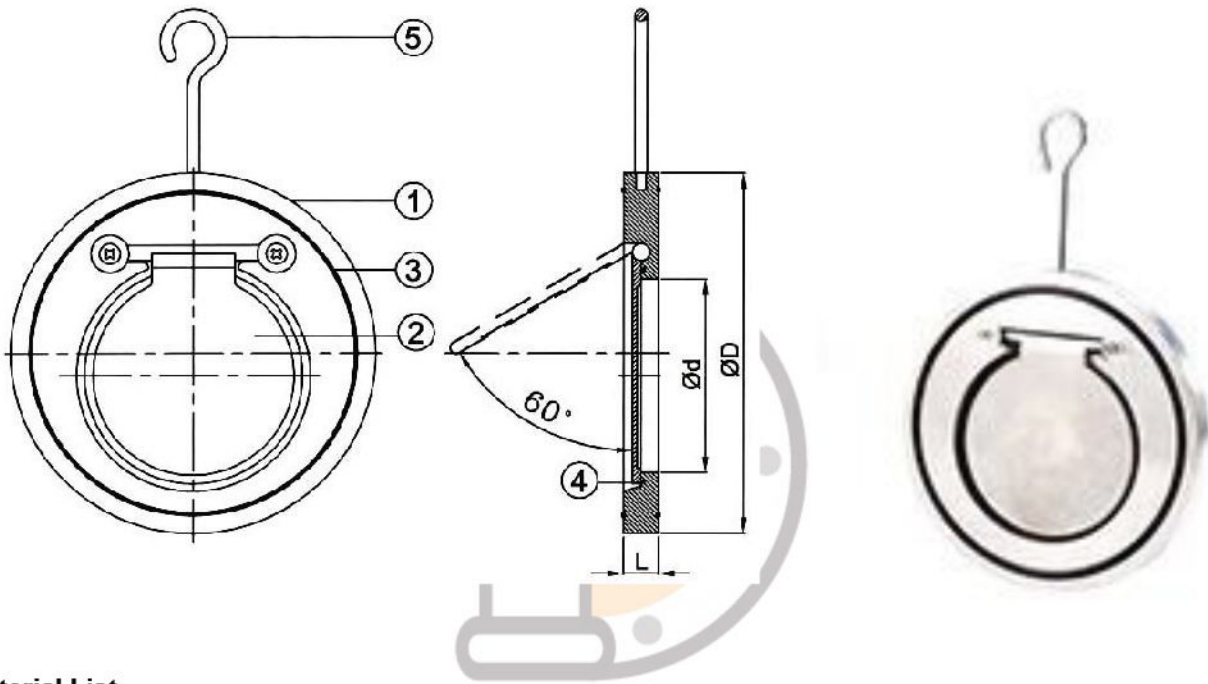


Single Door Wafer Type Check Valve



Material List

NO.	PART NAME	MATERIAL
1	BODY	WCB/ SUS304/ SUS316
2	CLAPPER	WCB/ SUS304/ SUS316
3	BODY SEAT	NBR/ VITON/ PTFE/ METAL
4	CLAPPER SEAT	NBR/ VITON/ PTFE/ METAL
5	O-BOLT	SS304

Body	SUS304/ SUS316	SUS304/ SUS316	SUS304/ SUS316
Seat	NBR	VITON	PTFE
Fluid	Air, Oil, Water & others	Air, Oil, Hot water & others	Air, Oil, Steam & others
Working Pressure (Max) (kgf/cm ²)	14	12	12
Fluid Temperature (Max) (°C)	80	250	200

Dimension

SIZE MARK	1/2"	3/4"	1"	1-1/4"	1-1/2"	2"	2-1/2"	3"	4"	5"	6"	8"	10"	12"	14"	16"	18"	20"	22"	24"	26"	
d	8	9	9	12	15	30	42	50	72	93	113	142	190	211	260	306	340	408	450	485	520	
D	JIS10K	55	60	70	80	85	104	124	134	159	190	220	270	332	370	415	475	530	580	640	690	745
	150LB	47	56	66	76	85	104	124	134	174	190	220	270	332	409	448	510	548	605	657	715	770
	300LB	53	63	72	84	94	111	129	148	179	214	250	307	360	423							
PN16	53	63	72	84	94	109	129	144	164	194	220	275	330	386	446	498	558	620				
L	14	14	14	14	14	14	14	14	18	18	20	27	29	35	38	45	55	65	70	70	70	