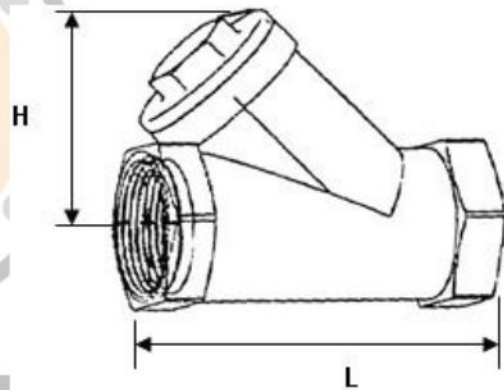
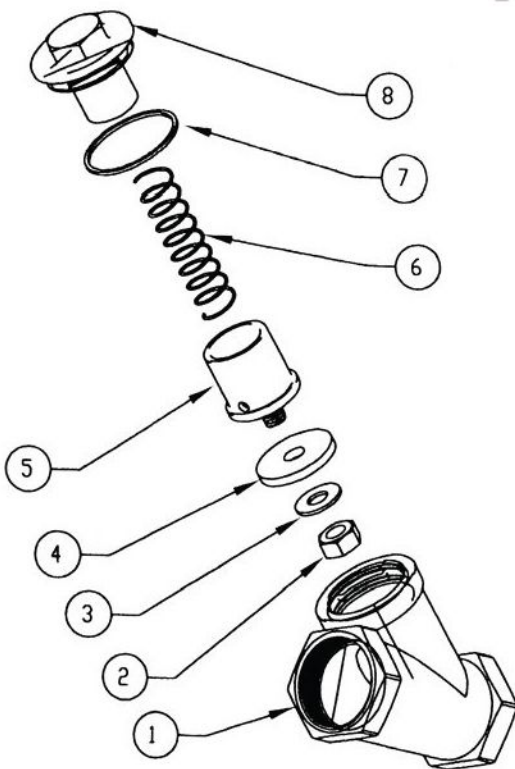


### Y-Spring Check Valve 800WOG

**Features**

1. Thread ends: NPT, BSPP, BSPF, BSPT, PT
2. Investment casting
3. Pressure: 800WOG



**Material List**

NO.	Part	Material
1	Body	SS316
2	Nut	SS304
3	Disc Washer	SS316
4	Disc	PTFE/Viton
5	Disc Bonnet	SS316
6	Spring	JIS G4801 Gr. Sup 3
7	Gasket	PTFE
8	Cap	SS316

**Dimensio**

Size	1/4"	3/8"	1/2"	3/4"	1"	1-1/4"	1-1/2"	2"	2-1/2"	3"
L	57.0	57.0	61.0	70.0	86.0	100.0	111.0	138.0	170.0	195.0
H	32.0	32.0	37.0	41.0	47.0	54.0	62.0	76.0	110.0	130.0
D	10.0	10.0	15.0	20.0	25.0	32.0	38.0	51.0	65.0	80.0