

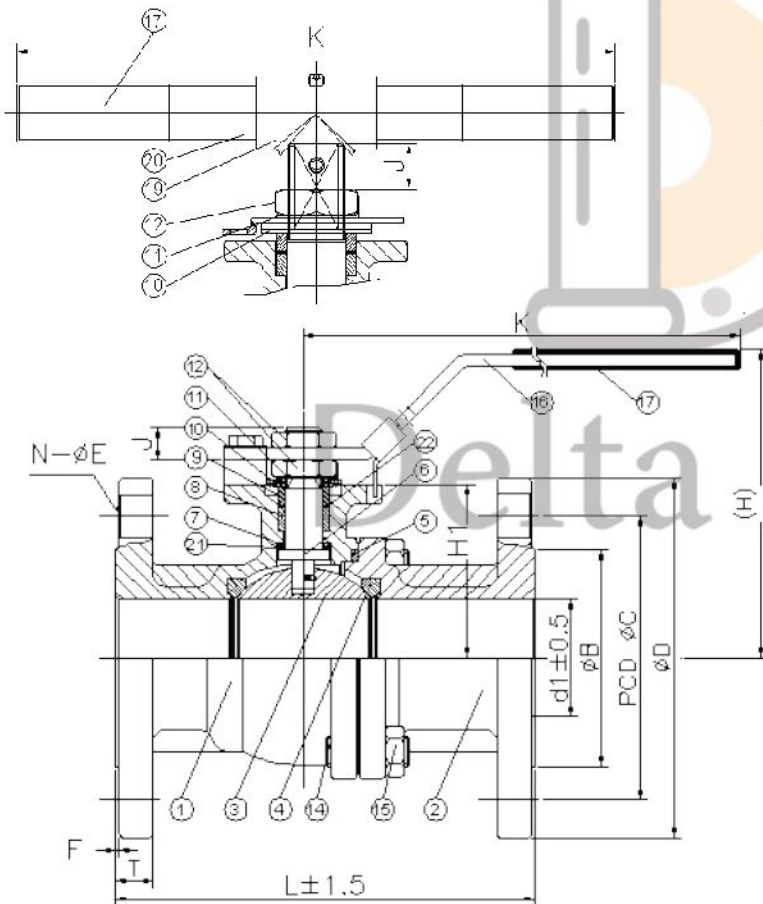
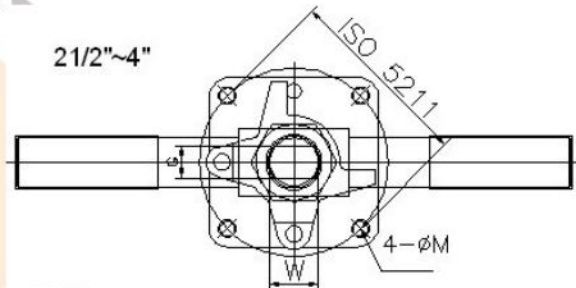
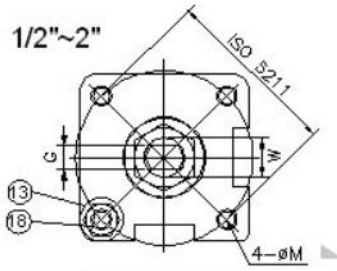
## 2 Piece Ball Valve Flanged 300#, Full Port, Direct Mounting

### Features

1. Face to face: ANSI B16.10
2. End Flange: ANSI B16.5
3. Design: ANSI B16.34
4. Investment casting
5. Blow-out proof stem
6. Pressure: 300#

### Options

1. Carbon/ Stainless steel body construction
2. Locking device available



### Material List

NO.	PART NAME	MATERIAL	
1	BODY	SS316	WCB
2	END CAP	SS316	WCB
3	BALL	SS316	SS304
4	BALL SEAT	PTFE	
5	BODY GASKET	GRAPHITE	
6	STEM	SS316	SS304
7	STEM SEAL-RING	GRAPHITE	
8	V-RING STEM PACKING	GRAPHITE	
9	SLEEVE	SS304	
10	BELLEVILLE WASHER	SS304	
11	STOP	SS304	
12	STEM NUT	SS304	
13	STOP PIN	SS304	
14	BOLTS	ASTM A193 GR.B8	ASTM A193 GR.B7
15	BOLTS NUTS	ASTM A193 GR. 8	ASTM A194 GR. 2HM
16	HANDLE	SS304	
17	HANDLE COVER	PLASTIC	
18	STOP BOLT	SS304	
19	HANDLE ADAPTER	CF8	
20	HANDLE	STEEL	
21	STEM SEAL-RING	RTFE	
22	V-RING STEM PACKING	RTFE	

### Dimension

Size	d1	B	C	D	T	F	N	E	H	H1	J	K	L	ISO 5211	M	G	W		
1/2"	15	35	66.5	95.3	14.3	1.6	4	16	80	38.5	8.5	162	140	F04	42	M5*0.8P	10-24UNC	6.35	12
3/4"	20	43	82.6	117.4	15.9	1.6	4	19.1	84.5	42.5	8.5	162	152	F04	42	M5*0.8P	10-24UNC	6.35	12
1"	25	51	88.9	124.0	17.5	1.6	4	19.1	102	52	12	196	165	F05	50	M6*1.0P	1/4-20UNC	8.0	14
1-1/4"	32	63.5	98.6	133.4	19.1	1.6	4	19.1	102	56	12	196	178	F05	50	M6*1.0P	1/4-20UNC	8.0	14
1-1/2"	38	73.2	114.3	155.5	20.7	1.6	4	22.3	125	65.3	12	226	190	F07	70	M8*1.25P	5/16-18UNC	9.5	16
2"	50	92.0	127.0	165.1	22.3	1.6	8	19.1	132	73.8	12	226	216	F07	70	M8*1.25P	5/16-18UNC	9.5	18
2-1/2"	64	104.7	149.4	190.5	25.4	1.6	8	22.3	176.8	92.5	12	300	241	F10	102	M10*1.5P	3/8-16UNC	17	28
3"	76	127.0	168.1	209.6	28.6	1.6	8	22.3	185.5	101.7	23	300	283	F10	102	M10*1.5P	3/8-16UNC	17	28
4"	100	157.2	200.2	254.0	31.8	1.6	8	22.3	200.0	119.0	23	450	305	F10	102	M10*1.5P	3/8-16UNC	17	28