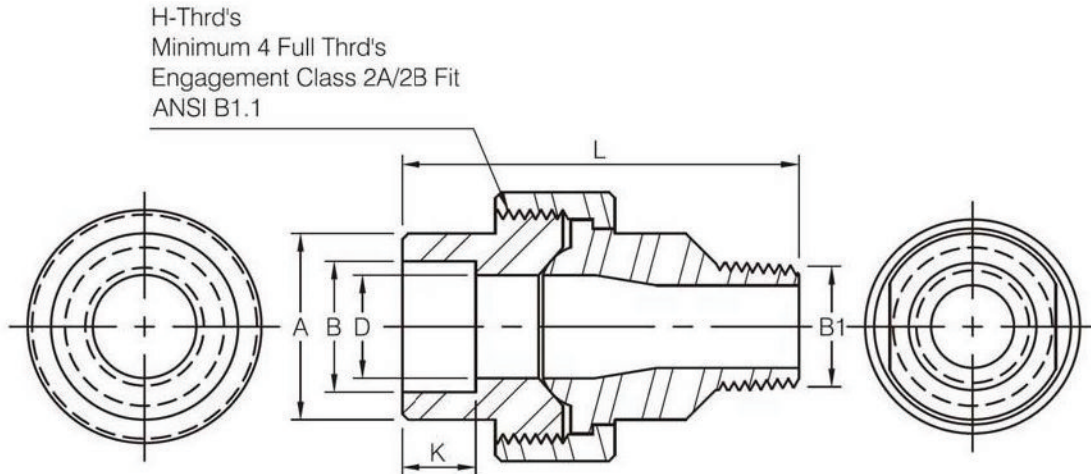


Union Male Threaded x SW



3000Lb

Nom. Pipe Size	A ⁽¹⁾ (Min)	B1	B	D	K (Min)	L
1/4"	21.8	13.7	14.61 14.10	10.01 8.48	9.7	55.4
3/8"	25.9	17.1	18.03 17.53	13.28 11.76	9.7	60.0
1/2"	31.2	21.3	22.23 21.72	16.56 15.04	9.7	68.0
3/4"	37.1	26.7	27.56 27.05	21.69 20.17	12.7	75.9
1"	45.5	33.4	34.29 33.78	27.41 25.88	12.7	86.0
1-1/4"	54.9	42.2	43.05 42.55	35.81 34.29	12.7	95.1
1-1/2"	61.5	48.3	49.15 48.64	41.66 40.13	12.7	100.5
2"	75.2	60.3	61.62 61.11	53.26 51.74	15.7	112.1

(1) Dimensions refer to MSS SP-83 TABLE 5.