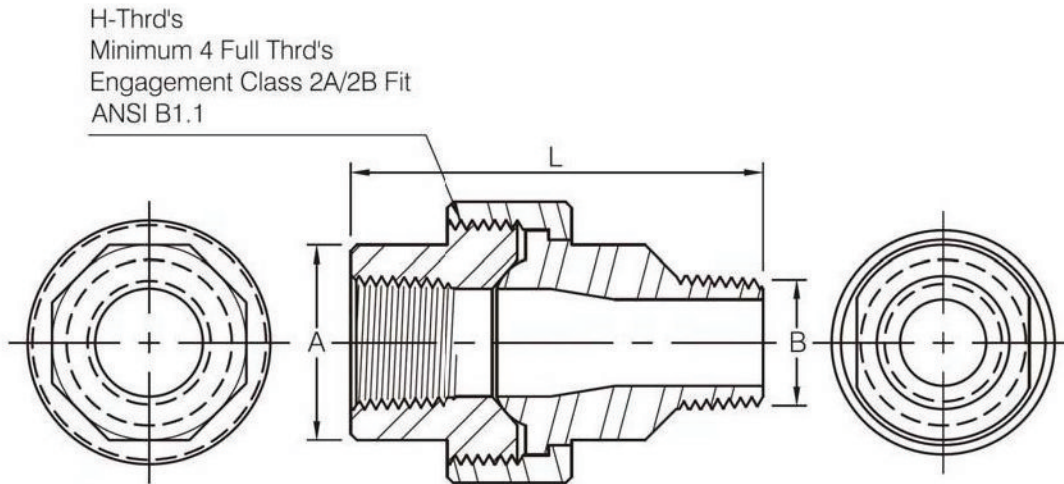


Union Male x Female Threaded



3000Lb

| Nom. Pipe Size | A ⁽¹⁾ (Min) | B | L |
|----------------|---------------------------|------|-------|
| 1/4" | 19.0 | 13.7 | 55.4 |
| 3/8" | 22.9 | 17.1 | 60.0 |
| 1/2" | 27.7 | 21.3 | 68.0 |
| 3/4" | 33.5 | 26.7 | 75.9 |
| 1" | 41.4 | 33.4 | 86.0 |
| 1-1/4" | 50.5 | 42.2 | 95.1 |
| 1-1/2" | 57.2 | 48.3 | 100.5 |
| 2" | 70.1 | 60.3 | 112.1 |

(1) Dimensions refer to MSS SP-83 TABLE 5.