

Wafer Type Ball Valve Flanged PN16, Full Port

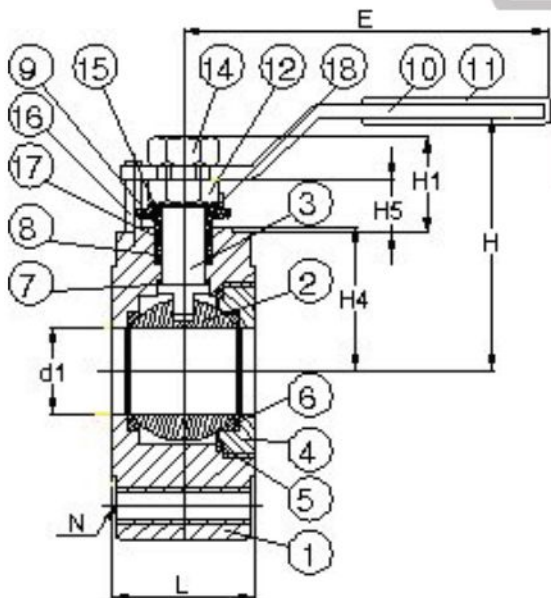
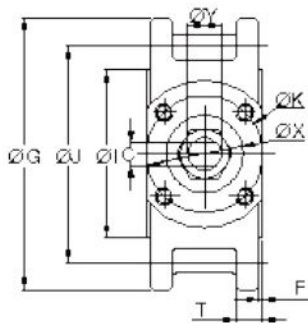
Features

1. Face to face: DIN 3202 F4/F5
2. End flange: PN 16 DIN 2633
3. Design: ANSI 16.34
4. Investment casting
5. Blow-out proof stem
6. Pressure: PN16



Options

1. Carbon/ Stainless steel body construction
2. Locking device available



Material List

NO.	PART NAME	MATERIAL	
1	BODY	SS316	WCB
2	BALL	SS316	SS304
3	STEM	SS316	SS304
4	INSERT CAP	SS316	WCB
5	BODY SEAL	PTFE	
6	SEAT	PTFE	
7	THRUST WASHER	PTFE	
8	STEM PACKING	PTFE	
9	GLAND	SS304	
10	HANDLE	SS304	
11	HANDLE COVER	PLASTIC	
12	STEM NUT	SS304	
14	HANDLE NUT	SS304	
15	BELLEVILLE WASHER	SS301	
16	STOP PIN	SS304	
17	PACKING FOLLOWER	PTFE.+25%G.F.	
18	TAB WASHER	SS304	

Dimension

SIZE	d1	L	E	H	H1	H4	H5	C	ØX	ØY	ØG	ØJ	ØI	T	F	ØK	N
DN15 1/2"	15	35	116	70	21.0	32	11.6	6.35	25	9.6	95	65	45	7.0	2	36	M12
DN20 3/4"	20	40	116	74	18.0	38	9.6	6.35	25	9.6	105	75	58	7.0	2	36	M12
DN25 1"	25	44	165	75	18.3	42	9.6	6.35	25	9.6	115	85	65	7.5	2	36	M12