

Wafer Type Ball Valve Flanged 150#, Full Port

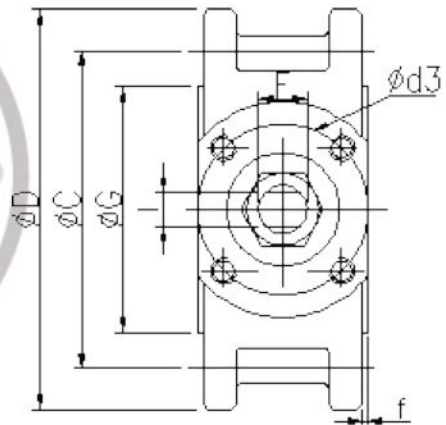
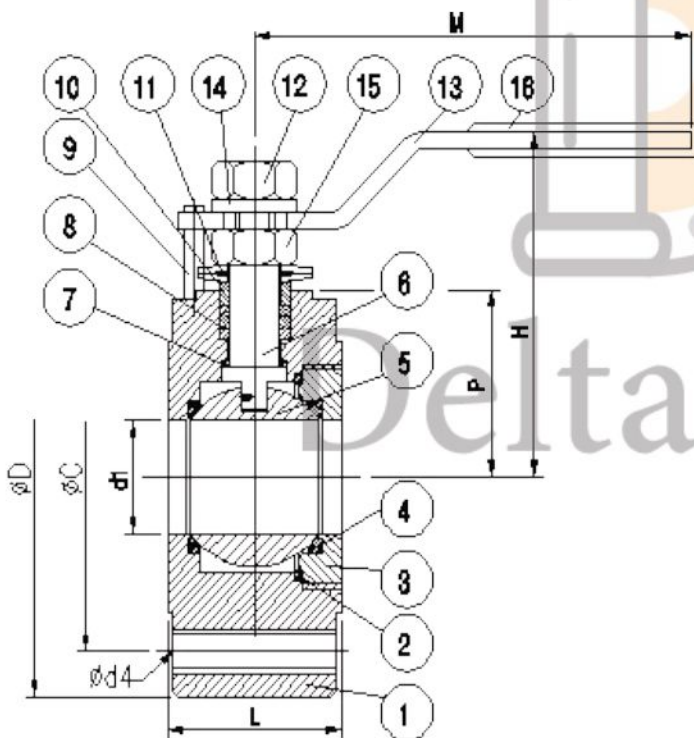
Features

1. Face to face: ANSI B16.10
2. End flange: ANSI B16.5
3. Test: API 598
4. Design: ANSI 16.34
5. Investment casting
6. Adjustable Stem Packing, Blow-out Proof Stem
7. Pressure: 150 LBS



Options

1. Pneumatic/ Electric Actuator



Material List

NO.	PART NAME	MATERIAL
1	BODY	CF8M, CF8 (1.4408)
2	GASKET	PTFE
3	RING NUT	CF8M, CF8 (1.4408)
4	SEAT	PTFE
5	BALL	SS316, 304 (1.4408)
6	STEM	SS316
7	STEM SEAL	PTFE
8	STEM PACKING	PTFE
9	STOP	SS304
10	RING	SS304
11	BEVEL WASHER	SS301
12	NUT	SS304
13	HANDLE	SS304
14	SPRING WASHER	SS304
15	NUT	SS304
16	PLASTIC COVER	PLASTIC

Dimension

SIZE	ISO-5211	ØC	ØD	Ød3	Ød4	d1	F	I	ØG	H	L	L1	M	P	f	
DN15	1/2"	F03	60.5	88.9	36	1/2"	16	9.6	6.35	35.1	70	35	31	116	32	1.6
DN20	3/4"	F03	69.9	98.6	36	1/2"	20	9.6	6.35	42.9	74	38	34	116	38	1.6
DN25	1"	F03	79.2	108.0	36	1/2"	25	9.6	6.35	50.8	75	44	38	165	42	1.6