

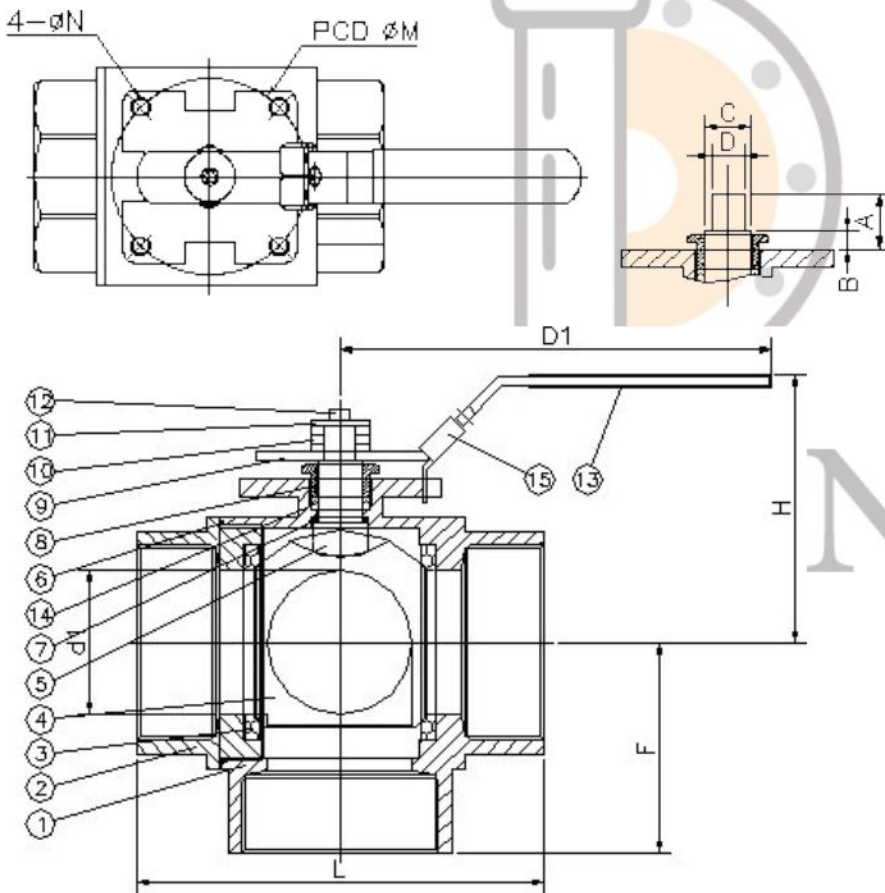
3-Way Ball Valve 1000WOG, STD Port, Mounting Pad, L-Port/ T-Port

Features

1. Thread ends: NPT, BSPP, BSPP, BSPT, PT
2. Investment casting
3. Blow-out proof stem
4. Pressure: 1000WOG

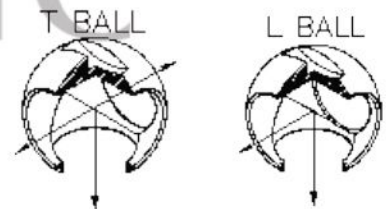
Options

1. Carbon/ Stainless steel body construction
2. Locking device is available if requested



PORT TYPE \	1	2	3	4
L3	1 ⊕ 2	1 ⊕ 2	1 ⊕ 2	1 ⊕ 2
L2	1 ⊕ 2	1 ⊕ 2	1 ⊕ 2	1 ⊕ 2

PORT TYPE \	1	2	3	4
T3	1 ⊕ 2	1 ⊕ 2		
T4	1 ⊕ 2	1 ⊕ 2	1 ⊕ 2	1 ⊕ 2



Material List

NO	PART NAME	MATERIAL
1	BODY	SS316
2	CAP	SS316
3	SEAT	PTFE
4	BALL	SS316
5	STEM	SS316
6	END SEALS	PTFE
7	THRUST WASHER	PTFE
8	GLAND	SS304
9	HANDLE	SS304
10	HANDLE WASHER	SS304
11	WASHER	SS304
12	HANDLE NUT	SS304
13	HANDLE COVER	PLASTIC
14	STEM PACKINGS	PTFE
15	LOCKING PLATE	SS304

Dimension

SIZE	d1	A	B	C	D	D1	H	F	L	M	N
1/4"	11.0	10.9	5.9	12.0	9.0	133.4	62.7	29.0	57.2	36	M5*0.8
3/8"	11.0	10.9	5.9	12.0	9.0	133.4	62.7	29.0	57.2	36	M5*0.8
1/2"	12.5	10.9	5.9	12.0	9.0	133.4	64.7	34.5	66.0	36	M5*0.8
3/4"	16.0	11.4	6.4	12.0	9.0	133.4	78.7	39.7	85.8	36	M5*0.8
1"	20.0	11.4	6.4	12.0	9.0	133.4	71.2	46.0	88.5	42	M5*0.8
1-1/4"	25.4	23.7	8.2	15.0	11.0	178.5	90.2	51.7	103.4	50	M6*1.0
1-1/2"	31.8	23.7	8.2	15.0	11.0	178.5	93.7	61.0	111.1	50	M6*1.0
2"	38.1	23.7	8.2	15.0	11.0	178.5	98.2	71.4	136.4	50	M6*1.0
3"	65.0	23.5	8.0	20.0	14.0	265.0	138.0	94.7	182	70.0	M8*1.25