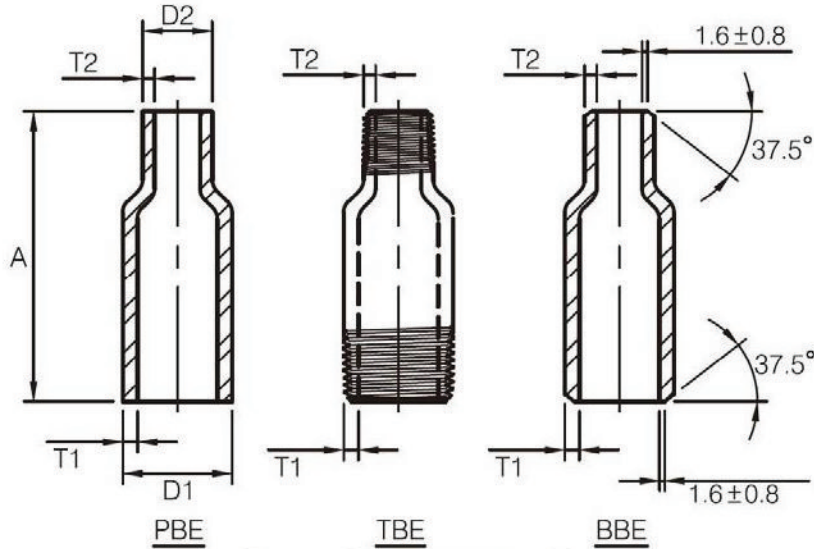


### Concentric Swage Nipple



Nom. Pipe Size	Outside Diameter		Wall Thickness									
	Large End D1	Small End D2	T1					T2				
			End To End "A"	Sch40 (STD)	Sch80 (XS)	Sch160	XXS	Sch40 (STD)	Sch80 (XS)	Sch160	XXS	
1/4"x1/8"	13.7	10.3	57	2.2	3.0	3.7	6.1	1.7	2.4	-	-	
3/8"x1/8"	17.1	10.3	64	2.3	3.2	4.0	6.4	1.7	2.4	-	-	
3/8"x1/4"	17.1	13.7	64	2.3	3.2	4.0	6.4	2.2	3.0	-	-	
1/2"x1/8"	21.3	10.3	70	2.8	3.7	4.8	7.5	1.7	2.4	-	-	
1/2"x1/4"	21.3	13.7	70	2.8	3.7	4.8	7.5	2.2	3.0	-	-	
1/2"x3/8"	21.3	17.1	70	2.8	3.7	4.8	7.5	2.3	3.2	-	-	
3/4"x1/8"	26.7	10.3	76	2.9	3.9	5.6	7.8	1.7	2.4	-	-	
3/4"x1/4"	26.7	13.7	76	2.9	3.9	5.6	7.8	2.2	3.0	-	-	
3/4"x3/8"	26.7	17.1	76	2.9	3.9	5.6	7.8	2.3	3.2	-	-	
3/4"x1/2"	26.7	21.3	76	2.9	3.9	5.6	7.8	2.8	3.7	4.8	7.5	
1"x1/8"	33.4	10.3	89	3.4	4.5	6.4	9.1	1.7	2.4	-	-	
1"x1/4"	33.4	13.7	89	3.4	4.5	6.4	9.1	2.2	3.0	-	-	
1"x3/8"	33.4	17.1	89	3.4	4.5	6.4	9.1	2.3	3.2	-	-	
1"x1/2"	33.4	21.3	89	3.4	4.5	6.4	9.1	2.8	3.7	4.8	7.5	
1"x3/4"	33.4	26.7	89	3.4	4.5	6.4	9.1	2.9	3.9	5.6	7.8	
1-1/4"x1/8"	42.2	10.3	102	3.6	4.9	6.4	9.7	1.7	2.4	-	-	
1-1/4"x1/4"	42.2	13.7	102	3.6	4.9	6.4	9.7	2.2	3.0	-	-	
1-1/4"x3/8"	42.2	17.1	102	3.6	4.9	6.4	9.7	2.3	3.2	-	-	
1-1/4"x1/2"	42.2	21.3	102	3.6	4.9	6.4	9.7	2.8	3.7	4.8	7.5	
1-1/4"x3/4"	42.2	26.7	102	3.6	4.9	6.4	9.7	2.9	3.9	5.6	7.8	
1-1/4"x1"	42.2	33.4	102	3.6	4.9	6.4	9.7	3.4	4.5	6.4	9.1	
1-1/2"x1/8"	48.3	10.3	114	3.7	5.1	7.1	10.2	1.7	2.4	-	-	
1-1/2"x1/4"	48.3	13.7	114	3.7	5.1	7.1	10.2	2.2	3.0	-	-	
1-1/2"x3/8"	48.3	17.1	114	3.7	5.1	7.1	10.2	2.3	3.2	-	-	
1-1/2"x1/2"	48.3	21.3	114	3.7	5.1	7.1	10.2	2.8	3.7	4.8	7.5	
1-1/2"x3/4"	48.3	26.7	114	3.7	5.1	7.1	10.2	2.9	3.9	5.6	7.8	
1-1/2"x1"	48.3	33.4	114	3.7	5.1	7.1	10.2	3.4	4.5	6.4	9.1	
1-1/2"x1-1/4"	48.3	42.2	114	3.7	5.1	7.1	10.2	3.6	4.9	6.4	9.7	
2"x1/8"	60.3	10.3	165	3.9	5.5	8.7	11.1	1.7	2.4	-	-	
2"x1/4"	60.3	13.7	165	3.9	5.5	8.7	11.1	2.2	3.0	-	-	
2"x3/8"	60.3	17.1	165	3.9	5.5	8.7	11.1	2.3	3.2	-	-	
2"x1/2"	60.3	21.3	165	3.9	5.5	8.7	11.1	2.8	3.7	4.8	7.5	
2"x3/4"	60.3	26.7	165	3.9	5.5	8.7	11.1	2.9	3.9	5.6	7.8	