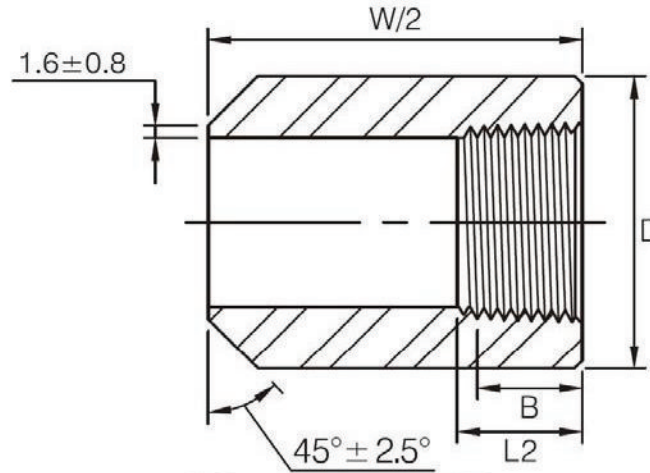


Boss Threaded



DN	Nom. Pipe Size	D		W		L2 (Min)	
		3000Lb	6000Lb	3000Lb	6000Lb	3000Lb	6000Lb
6	1/8"	16.0	22.0	38.0		6.70	
8	1/4"	19.0	26.0	41.0		10.21	
10	3/8"	22.0	32.0	45.0		10.36	
15	1/2"	29.0	38.0	51.0		13.56	
20	3/4"	35.0	45.0	51.0		13.86	
25	1"	45.0	60.0	51.0		17.34	
40	1-1/2"	64.0	76.0	51.0		18.38	
50	2"	76.0	95.0	51.0		19.22	
65	2-1/2"	95.0	-	51.0	-	28.89	-
80	3"	110.0	-	57.0	-	30.48	-
100	4"	140.0	-	64.0	-	33.02	-

(1) Dimensions in accordance with BS3799-1974.