

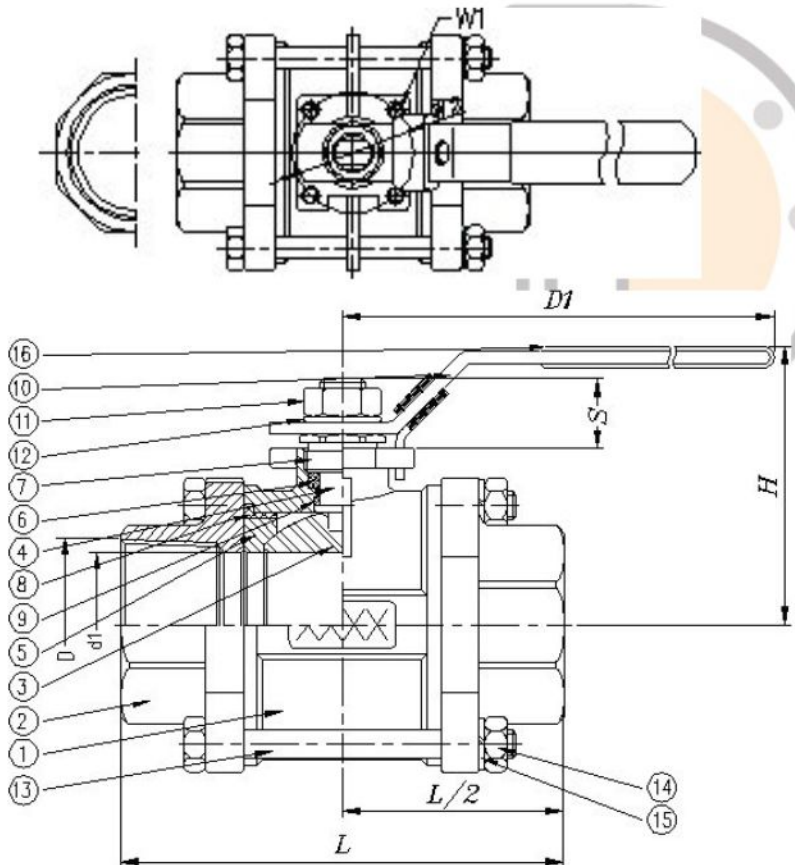
3 Piece Ball Valve 1000WOG, Full Port, With Mounting Pad

Features

1. Thread ends: NPT, BSPP, BSPF, BSPT, PT
2. Investment casting
3. Blow-out proof stem

Options

1. Carbon/ Stainless steel body construction
2. Locking device is available if requested
3. Butt-welded: VBM3MB
Socket-welded: VBM3MS



Material List

NO.	PART NAME	MATERIAL
		STAINLESS STEEL/ CARBON STEEL
1	BODY	SS316/ ASTM A216 WCB
2	CAP	SS316/ ASTM A216 WCB
3	BALL	SS316/ ASTM A351 GR. CF8
4	STEM	SS316/ ASTM A276 GR. 304
5	BALL SEATS	PTFE
6	STEM PACKING	PTFE
7	GLAND	SS304
8	END SEATS	PTFE
9	THRUST WASHER	PTFE
10	HANDLE	SS304
11	HANDLE NUT	SS304
12	HANDLE WASHER	SS304
13	BOLTS	SS304
14	BOLTS NUTS	SS304
15	BOLTS WASHERS	SS304
16	HANDLE COVER	PLASTIC

Dimension

SIZE	d1	L	H	D1	S	W1	W2	D
1/4"	11.0	*56.6	54	102	13	M5*0.8	36	1/4" DIN 2999
3/8"	12.5	*56.6	54	102	13	M5*0.8	36	3/8" DIN 2999
1/2"	15.0	*65.7	55	102	13	M5*0.8	36	1/2" DIN 2999
3/4"	20.0	76.2	62	126	17	M5*0.8	36	3/4" DIN 2999
1"	25.4	86.2	66	126	19	M5*0.8	36	1" DIN 2999
1-1/4"	32.0	102.8	90	154	27	M6*1.0	50	1-1/4" DIN 2999
1-1/2"	40.0	119.4	93	154	26	M6*1.0	50	1-1/2" DIN 2999
2"	50.8	131.4	102	188	24	M6*1.0	50	2" DIN 2999
2-1/2"	65.0	164.0	121	265	39	M8*1.25	70	2-1/2" DIN 2999
3"	80.0	182.7	134	265	37	M10*1.5	102	3" DIN 2999
4"	100.0	*236.2	175	272	50	M10*1.5	102	4" DIN 2999