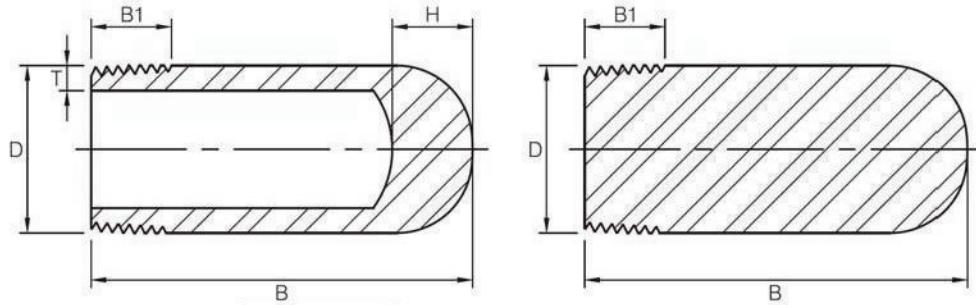


Bull Plug Threaded



Nom. Pipe Size	D	B	B1	T (Min)				H
				Sch40/STD	Sch80/XS (3M)	Sch160 (6M)	XXS	
1/8"	10.3	51	9.5	1.73	2.41	-	-	14
1/4"	13.7	51	11.0	2.24	3.02	-	-	14
3/8"	17.1	57	12.5	2.31	3.20	-	-	14
1/2"	21.3	64	14.5	2.77	3.73	4.78	7.47	14
3/4"	26.7	70	16.0	2.87	3.91	5.56	7.82	18
1"	33.4	76	19.0	3.38	4.55	6.35	9.09	18
1-1/4"	42.2	83	20.5	3.56	4.85	6.35	9.70	18
1-1/2"	48.3	89	20.5	3.68	5.08	7.14	10.15	18
2"	60.3	102	22.0	3.91	5.54	8.74	11.07	20
2-1/2"	73.0	127	27.0	5.16	7.01	9.53	14.02	20
3"	88.9	152	28.5	5.49	7.62	11.13	15.24	20
4"	114.3	178	32.0	6.02	8.56	13.49	17.12	20

- (1) Wall thickness (T Min.) in accordance with ASME B36.10M.
- (2) Dimensions in accordance with MSS SP-95-2006.