

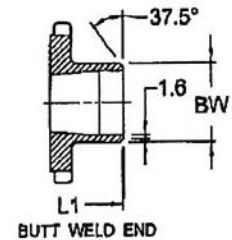
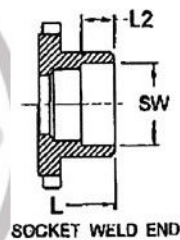
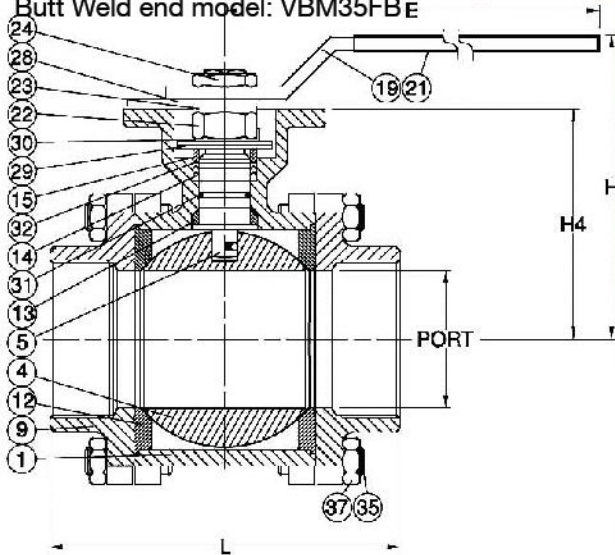
3 Piece Ball Valve 1500/2000WOG, Full Port, ISO5211 Direct Mount

Features

1. Thread ends: NPT, BSPP, BSPF, BSPT, PT
2. Investment casting
3. Blow-out proof stem
4. Pressure: 1/4"~1" :2000WOG
1-1/4"~2" :1500WOG

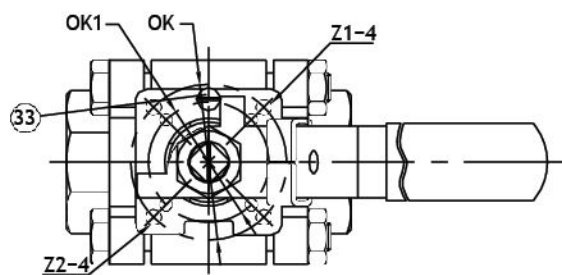
Options

1. Carbon/ Stainless steel body construction
2. Locking device is available if requested
3. Socket-welded end model: VBM35FS
4. Butt Weld end model: VBM35FB E



Material List

NO.	PART NAME	MATERIAL
1	BODY	ASTM A351 GR. CF8M
4	BALL	ASTM A351 GR. CF8M
5	STEM	SS316
9	END CAP	ASTM A351 GR.CF8M
11	BODY SEAL	PTFE
12	SEAT	RTFE
13	THRUST WASHER	RTFE
14	STEM PACKING	RTFE
15	GLAND BUSH	SS304
19	HANDLE	SS304
21	HANDLE COVER	PLASTIC
22	STEM NUT	SS304
23	HANDLE WASHER	SS304
24	HANDLE NUT	SS304
29	BELLEVILLE WASHER	SUS301
30	TAB WASHER	SS304
31	STEM O-RING	VITON
32	PACKING FOLLOWER	PTFE+25%GF
33	STOP PIN	SS304
35	BODY BLOT	SS304
37	BOLT NUT	SS304



Dimension

SIZE	PORT	L	L1	L2	E	H	H1	H4	C	ØK	ØK1	Z1-4	Z2-4	SW	BW
1/4"	11.5	56.1	62.5	10	112.0	77.9	8.0	42.0	9	50	36	7	6	14.2	13.7
3/8"	12.5	56.1	62.5	10	112.0	77.9	8.0	42.0	9	50	36	7	6	17.5	17.1
1/2"	15.0	67.9	66.1	10	112.0	77.9	8.0	42.0	9	50	36	7	6	21.8	21.3
3/4"	20.0	76.1	77.1	13	112.0	81.8	8.5	45.0	9	50	36	7	6	27.4	26.7
1"	25.0	84.6	83.6	13	136.0	90.5	9.5	53.5	9	50	36	7	6	34.1	33.4
1-1/4"	32.0	98.1	96.1	13	185.0	98.0	9.5	59.0	9	50	36	7	6	42.7	42.2
1-1/2"	38.0	111.2	107.2	13	197.9	114.7	14.0	74.8	14	70	50	9	7	49.0	48.3
2"	50.0	126.7	118.5	16	197.9	124.0	13.7	83.5	14	70	50	9	7	61.0	60.3