

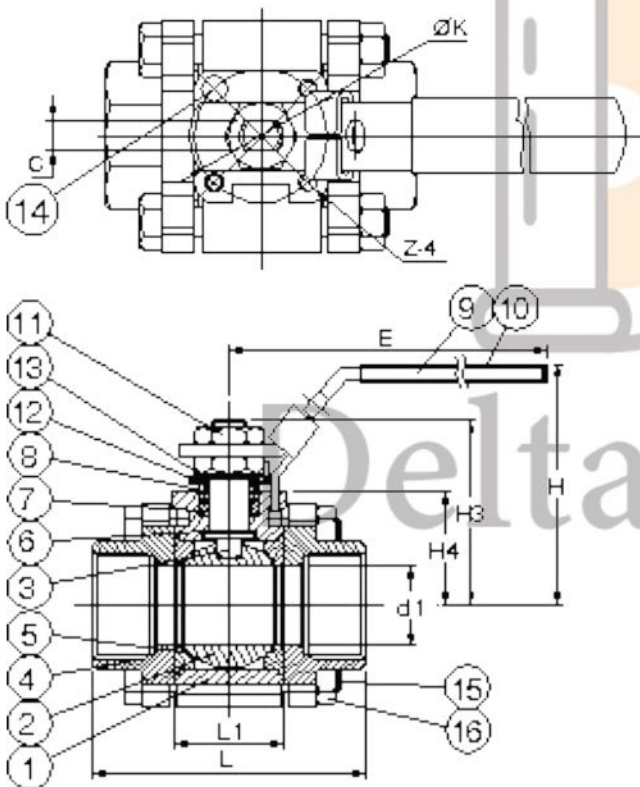
### 3 Piece Ball Valve 1500/2000WOG, STD Port, ISO5211 Direct Mount

**Features**

1. Thread ends: NPT, BSPP, BSPF, BSPT, PT
2. Investment casting
3. Blow-out proof stem
4. Pressure: 1/2"~1-1/4" :2000WOG  
1-1/2"~2-1/2" :1500WOG

**Options**

1. Carbon/ Stainless steel body construction
2. Locking device is available if requested



**Material List**

NO.	PART NAME	MATERIAL
1	BODY	SS316
2	BALL	SS316
3	STEM	SS316
4	END CAP	SS316
5	SEAT	PTFE
6	THRUST WASHER	PTFE
7	STEM PACKING	PTFE
8	GLAND	SS304
9	HANDLE	SS304
10	HANDLE COVER	PLASTIC
11	HANDLE NUT	SS304
12	BELLEVILLE WASHER	SS301
13	TAB WASHER	SS304
14	STOP PIN	SS304
15	BODY BOLT	SS304
16	BOLT NUT	SS304

**Dimension**

SIZE	d1	L	E	H	H3	H4	C	ØK	Z-4	L1
1/2"	12.5	57.5	102.0	64.0	46.9	31.6	5.0	36.0	M5xP0.8	22.5
3/4"	15.0	69.4	102.0	64.0	46.9	31.6	5.0	36.0	M5xP0.8	22.5
1"	20.0	77.5	102.0	67.0	50.2	33.8	5.0	36.0	M5xP0.8	27.5
1-1/4"	25.0	86.0	145.0	76.0	56.0	35.5	8.0	42.0	M5xP0.8	34.0
1-1/2"	32.0	99.5	145.0	80.0	61.3	40.3	8.0	42.0	M5xP0.8	42.5
2"	38.0	112.6	162.0	92.0	75.0	46.5	10.0	50.0	M6xP1.0	52.0
2-1/2"	50.0	128.6	162.0	101.0	83.0	55.5	10.0	50.0	M6xP1.0	63.5