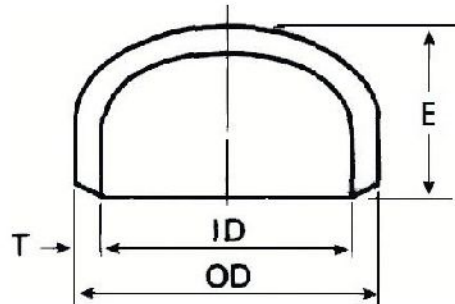


Cap



ANSI B16.9 / MSS SP-75 (in mm)

Nominal Pipe Size (NPS)	Outside Diameter at Bevel D	Center to End E
1/2	21.3	25.4
3/4	26.7	25.4
1	33.4	38.1
1-1/4	42.2	38.1
1-1/2	48.3	38.1
2	60.3	38.1
2-1/2	73.0	38.1
3	88.9	50.8
3-1/2	101.6	63.5
4	114.3	63.5
5	141.3	76.2
6	168.3	88.9
8	219.1	101.6
10	273.1	127.0
12	323.9	152.4
14	355.6	165.1
16	406.4	177.8
18	457.2	203.2
20	508.0	228.6
22	558.8	254.0
24	609.6	266.7
26	660.4	266.7
28	711.2	266.7
30	762.0	266.7
32	812.8	266.7
34	863.6	266.7
36	914.4	266.7
38	965.2	304.8
40	1016.0	304.8
42	1066.8	304.8
44	1117.6	342.9
46	1168.4	342.9
48	1219.2	342.9