

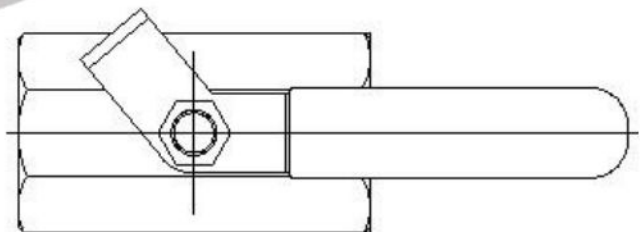
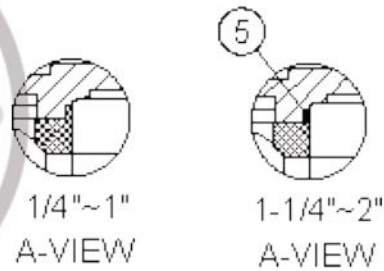
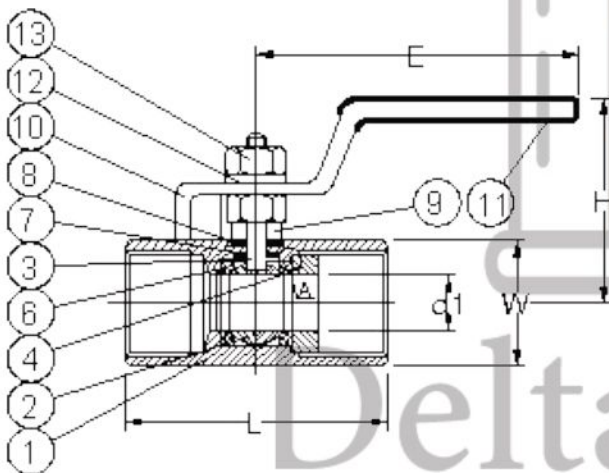
1 Piece Ball Valve 1500WOG/ 2000WOG, Reduced Port

Features

1. Thread ends: NPT, BSPP, BSPF, BSPT, PT
2. Investment casting
3. Blow-out proof stem
4. Pressure: 1/4"~1" :2000WOG
1-1/4"~2" :1500WOG

Options

1. Carbon/ Stainless steel body construction
2. Oval/ Butterfly handle is available if requested



Material List

NO.	PART NAME	MATERIAL
1	BODY	SS316
2	BALL	SS316/CF8M
3	STEM	SS316
4	INSERT	SS316
5	BODY SEAL	PTFE
6	SEAT	PTFE + 15%G.F.
7	THRUST WASHER	PTFE
8	STEM PACKING	PTFE
9	GLAND BUSHING	SS304
10	HANDLE	SS304
11	HANDLE COVER	PLASTIC
12	SPRING WASHER	SS304
13	HANDLE NUT	SS304

Dimension

SIZE	d1	L	E	H	W
1/4"	5.0	41.3	61.0	29.5	21.0
3/8"	7.2	46.0	79.0	34.5	23.0
1/2"	9.2	57.2	108.0	56.0	29.0
3/4"	12.5	65.1	110.0	65.0	35.0
1"	15.0	76.2	122.0	68.0	41.0
1-1/4"	20.0	92.1	145.0	79.5	55.0
1-1/2"	24.5	98.4	148.0	84.0	57.0
2"	32.0	114.3	148.0	92.5	73.5