

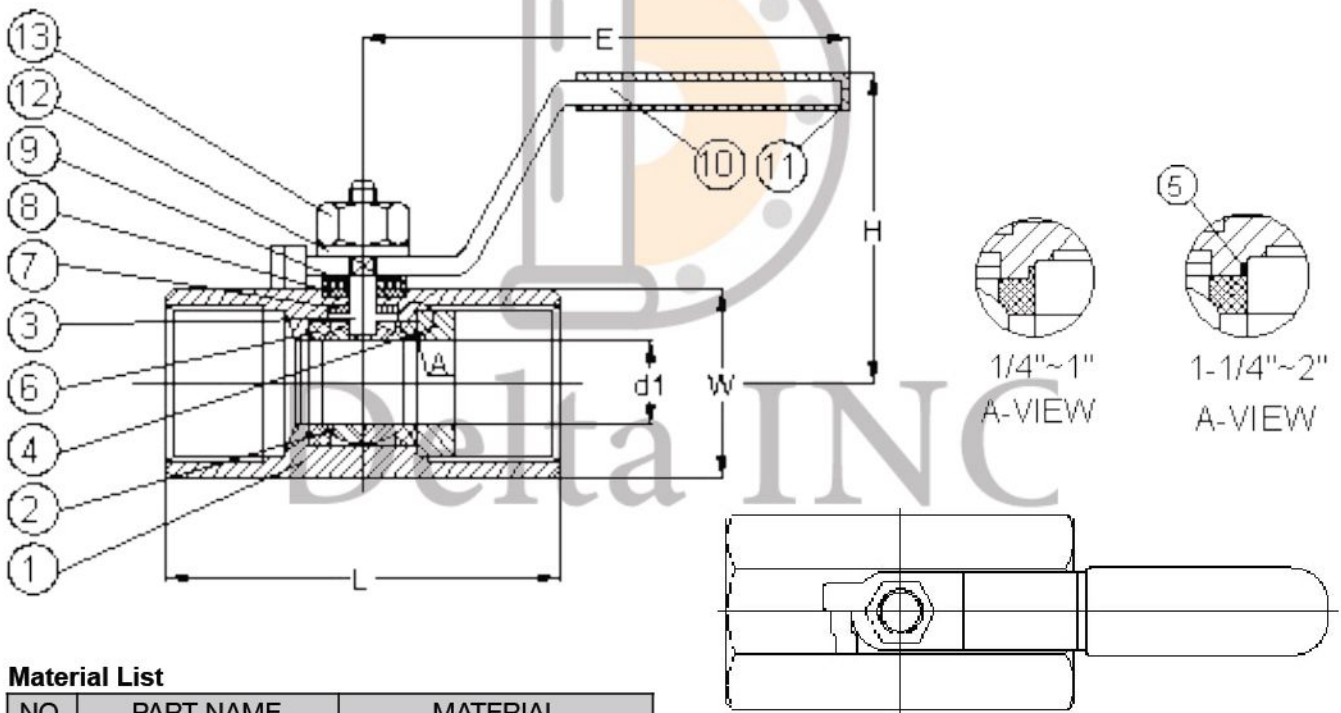
**Piece Ball Valve Hex Bar 1000WOG, Reduced Port**

**Features**

1. Thread ends: NPT, BSPP, BSPF, BSPT, PT
2. Investment casting
3. Blow-out proof stem
4. Pressure: 1000WOG

**Options**

1. Carbon/ Stainless steel body construction
2. Oval/ Butterfly handle is available if requested



**Material List**

NO.	PART NAME	MATERIAL
1	BODY	ASTM A351 GR.CF8M
2	BALL	SS316/CF8M
3	STEM	SS316
4	INSERT	ASTM A351 GR.CF8M
5	BODY SEAL	PTFE
6	SEAT	PTFE
7	THRUST WASHER	PTFE
8	STEM PACKING	PTFE
9	GLAND WASHER	SS304
10	HANDLE	SS304
11	HANDLE COVER	PLASTIC
12	SPRING WASHER	SS304
13	HANDLE NUT	SS304

**Dimension**

SIZE	d1	L	E	H	W
1/4"	5	39.0	70.0	30.5	17.0
3/8"	7.2	44.0	81.5	31.0	21.0
1/2"	9.2	56.5	97.0	47.0	25.0
3/4"	12.5	59.0	97.0	51.0	32.0
1"	15.0	71.0	101.0	52.0	38.0
1-1/4"	20.0	78.0	101.0	57.0	48.0
1-1/2"	25.0	83.0	146.0	66.5	53.0
2"	32.0	98.0	146.0	71.5	64.0