

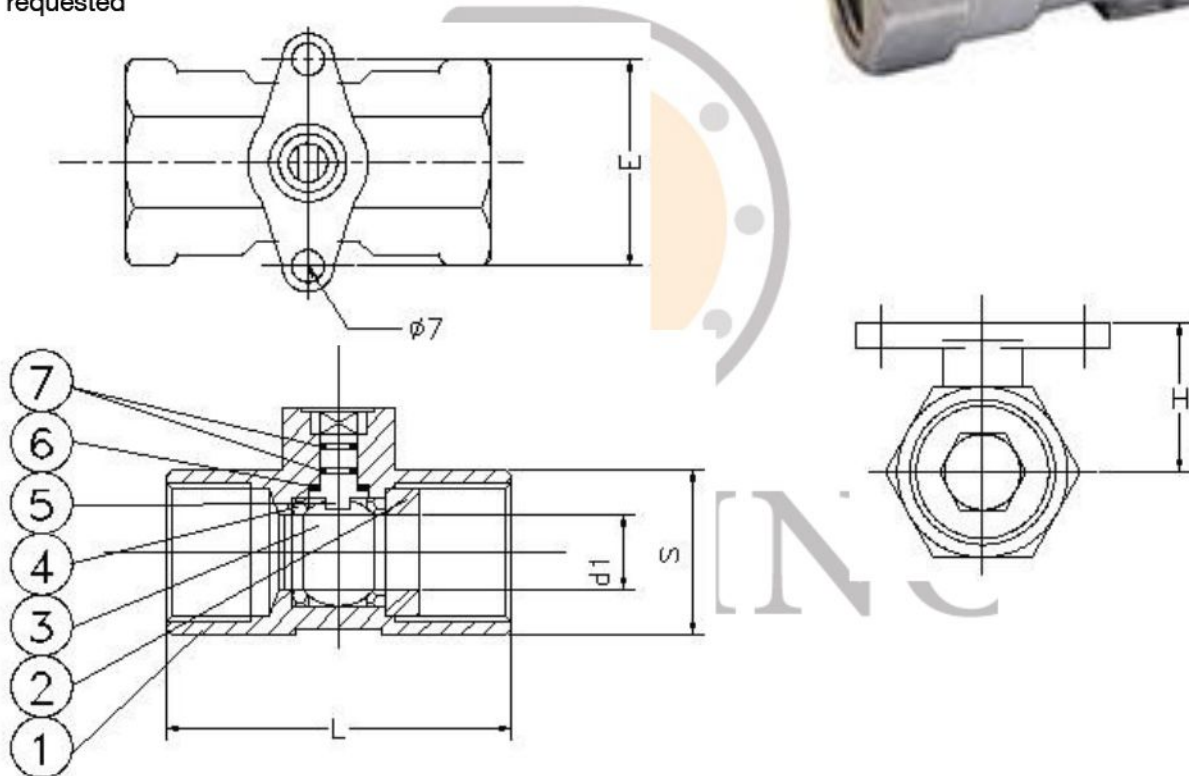
1 Piece Ball Valve 800WOG, Reduced Port, Direct Mount

Features

1. Thread ends: NPT, BSPP, BSPF, BSPT, PT
2. Investment casting
3. Blow-out proof stem
4. Pressure: 800WOG

Options

1. Carbon/ Stainless steel body construction
2. Oval/ Butterfly handle is available if requested



Material List

| NO. | PART NAME | MATERIAL |
|-----|---------------|----------|
| 1 | BODY | SS316 |
| 2 | CAP | SS316 |
| 3 | BALL | SS316 |
| 4 | SEAT | PTFE |
| 5 | THRUST WASHER | PTFE |
| 6 | STEM | SS316 |
| 7 | O RING | VITON |

Dimension

| SIZE | d1 | L | H | E | S |
|--------|------|------|------|------|----|
| 1/4" | 5.0 | 39 | 26 | 38.5 | 17 |
| 3/8" | 7.2 | 44 | 27 | 38.5 | 19 |
| 1/2" | 9.2 | 56.5 | 26.5 | 38.5 | 25 |
| 3/4" | 12.5 | 59 | 28.5 | 38.5 | 32 |
| 1" | 15 | 71 | 32.5 | 38.5 | 38 |
| 1-1/4" | 20 | 78 | 36 | 38.5 | 49 |
| 1-1/2" | 25 | 83 | 41.5 | 38.5 | 53 |
| 2" | 32 | 100 | 47 | 38.5 | 64 |