

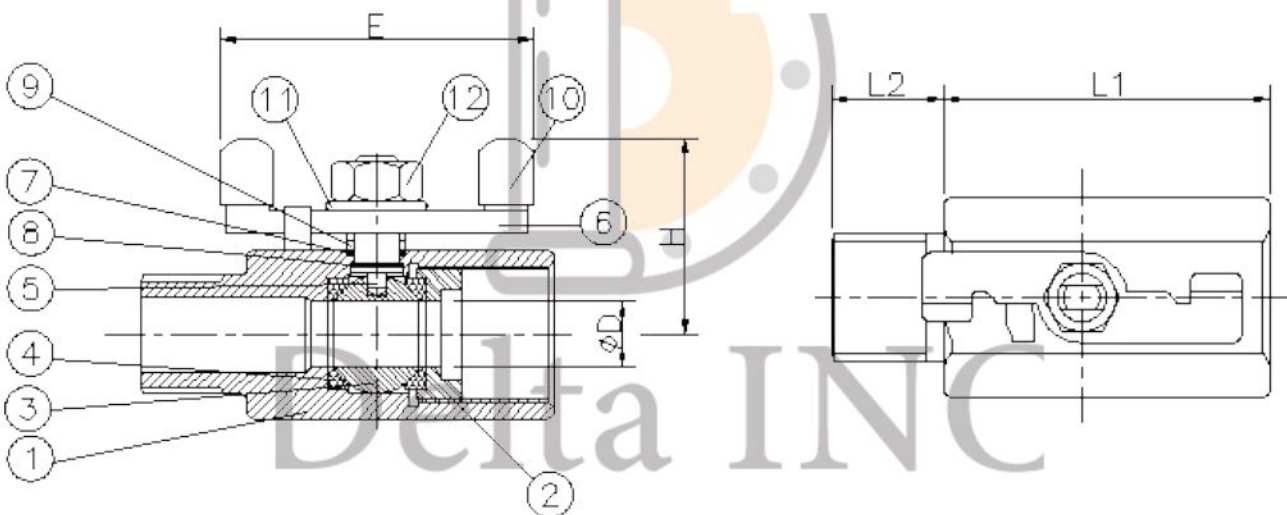
1 Piece Ball Valve 1000WOG, Reduced Port, Butterfly Handle, Male x Female

Features

1. Thread ends: NPT, BSPP, BSPF, BSPT, PT
2. Investment casting
3. Blow-out proof stem
4. Pressure: 1000WOG

Options

1. Carbon/ Stainless steel body construction
2. Oval/ Butterfly handle is available if requested



Dimension

SIZE	ØD±0.5	L1±1.0	L2±1.0	H±3.0	E±3.0	WT/KG
1/4"	5	34	12	24	48.5	0.07
3/8"	7	35.5	15	28	51.5	0.12
1/2"	9.2	42	18.5	30	55.5	0.20
3/4"	12.7	43	18.5	34	55.5	0.29

Material List

NO	PART NAME	MATERIAL
1	BODY	SS316
2	SEAT RETAINER	SS316
3	BALL	SS316
4	SEAT	PTFE (RTFE)
5	STEM	SS316
6	HANDLE	SS304
7	STEM PACKING	PTFE
8	THRUST WASHER	PTFE
9	GLAND RING	SS304
10	PLASTIC COVER	PLASTIC
11	SPRING WASHER	SS304
12	NUT	SS304