

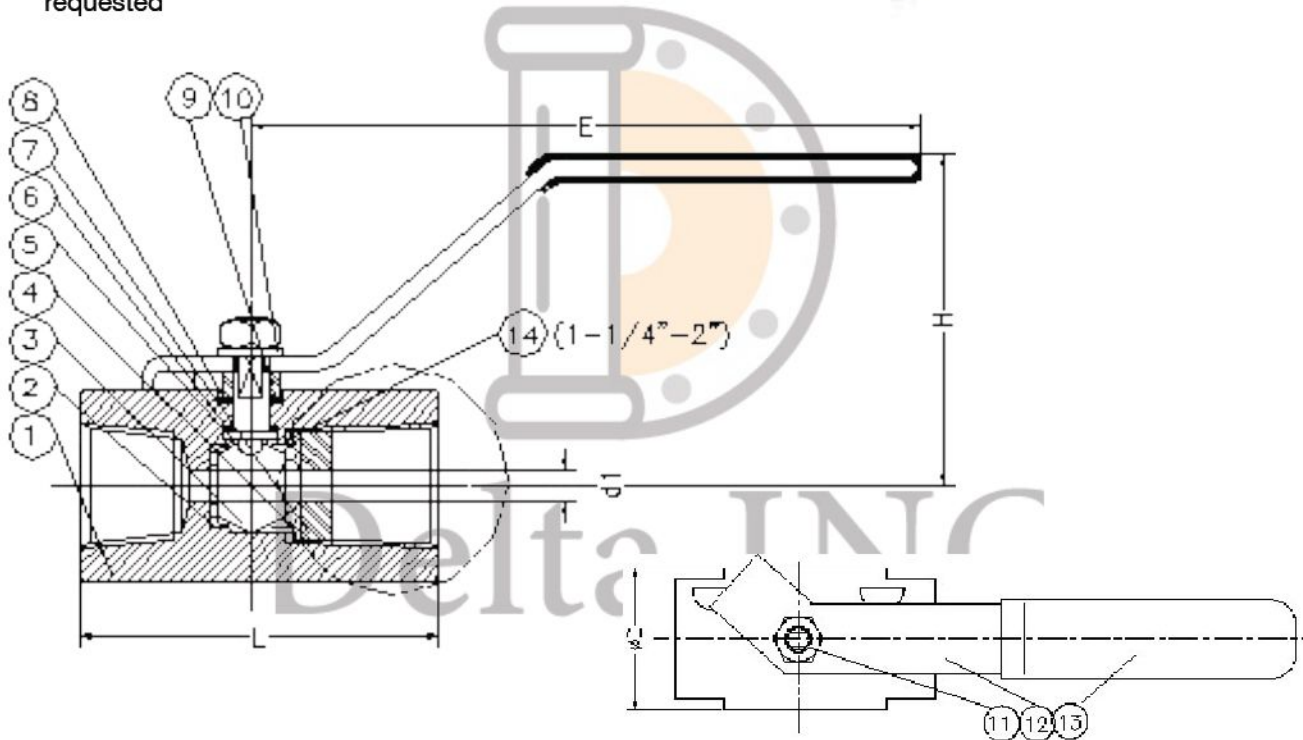
1 Piece Ball Valve Bar Stock (Round Bar) 1000WOG, Reduced Port

Features

1. Thread ends: NPT, BSPP, BSPF, BSPT, PT
2. Investment casting
3. Blow-out proof stem
4. Pressure: 1000WOG

Options

1. Carbon/ Stainless steel body construction
2. Oval/ Butterfly handle is available if requested



Material List

NO.	PART NAME	MATERIAL
1	BODY	SS316
2	SEAT	PTFE
3	BALL	SS316
4	SEAT 2	PTFE
5	STEM	SS316
6	THRUST WASHER	PTFE
7	INSERT	SS316
8	STEM SEAL	PTFE
9	WASHER	SS304
10	CONICAL SPRING WASHER	SS304
11	NUT	SS304
12	LEVER HANDLE	SS304
13	HANDLE COVER	PLASTIC
14	SEAT	PTFE

Dimension

SIZE	ØD	d1	E	L	H
1/4"	22	9.5	110	50.5	55
3/8"	28	9.5	110	60	55
1/2"	32	9.2	110	60	55
3/4"	38	12.5	120	67	58
1"	45	17	146	76	67
1-1/4"	55	21	146	90	72
1-1/2"	65	25	150	98	80
2"	75	32	150	112	85