

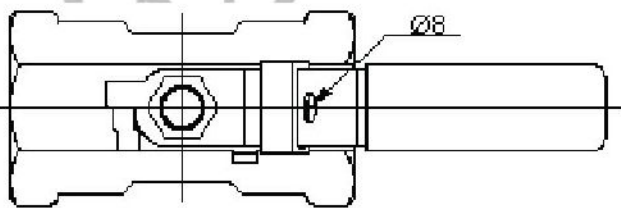
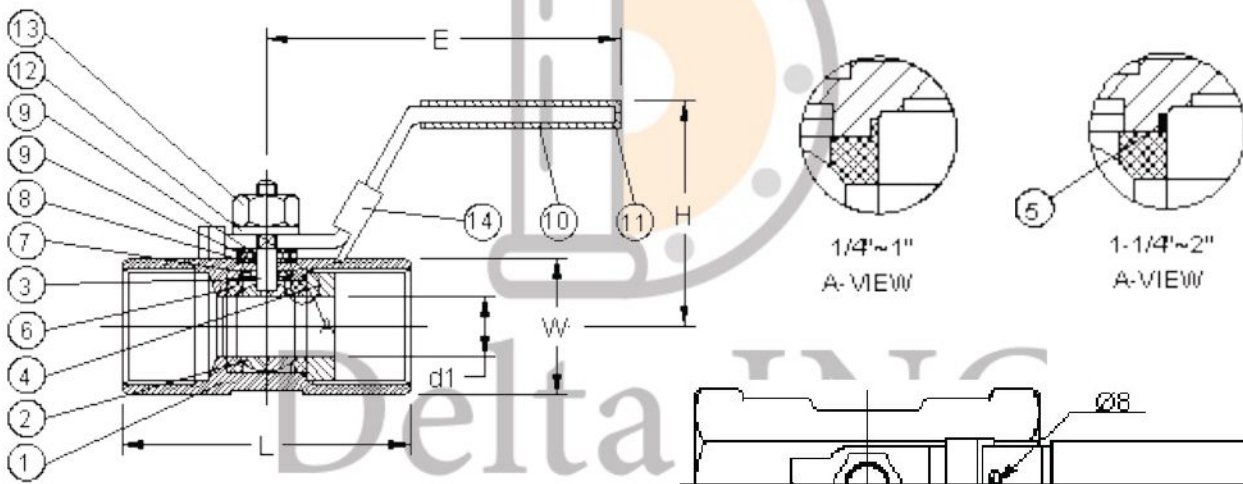
### 1 Piece Ball Valve 1000WOG, Reduced Port

**Features**

1. Thread ends: NPT, BSPP, BSPF, BSPT, PT
2. Investment casting
3. Blow-out proof stem
4. Pressure: 1000WOG

**Options**

1. Carbon/ Stainless steel body construction.
2. Oval/ Butterfly handle available.
3. Locking device is available if requested.



**Material List**

NO.	PART NAME	MATERIAL
1	BODY	SS316
2	BALL	SS316
3	STEM	SS316
4	INSERT	SS316
5	BODY SEAL	PTFE
6	SEAT	PTFE
7	THRUST WASHER	PTFE
8	STEM PACKING	PTFE
9	GLAND	SS304
10	HANDLE	SS304
11	HANDLE COVER	PLASTIC
12	HANDLE WASHER	SS304
13	HANDLE NUT	SS304
14	LOCKING DEVICE	SS304 (OPTION)

**Dimension**

SIZE	d1	L	E	H	W
1/4"	5.0	39.0	69.0	35.0	17.0
3/8"	7.2	44.0	79.0	36.0	21.0
1/2"	9.2	56.5	109.0	40.0	25.0
3/4"	12.5	59.0	109.0	42.0	32.0
1"	15.0	71.0	111.7	47.0	38.0
1-1/4"	20.0	78.0	111.7	53.0	48.0
1-1/2"	25.0	83.0	157.0	62.0	53.0
2"	32.0	100.0	155.5	67.0	64.0